



DEPARTMENT OF REGULATORY AND ECONOMIC RESOURCES (RER)
BOARD AND CODE ADMINISTRATION DIVISION

MIAMI-DADE COUNTY, FLORIDA
PRODUCT CONTROL SECTION
11805 SW 26 Street, Room 208
T (786) 315-2590 F (786) 315-2599

NOTICE OF ACCEPTANCE (NOA)

www.miamidade.gov/economy

PGT Industries, Inc.
1070 Technology Drive,
North Venice, Fl. 34275

SCOPE:

This NOA is being issued under the applicable rules and regulations governing the use of construction materials. The documentation submitted has been reviewed and accepted by Miami-Dade County RER-Product Control Section to be used in Miami-Dade County and other areas where allowed by the Authority Having Jurisdiction (AHJ).

This NOA shall not be valid after the expiration date stated below. The Miami-Dade County Product Control Section (In Miami-Dade County) and/ or the AHJ (in areas other than Miami-Dade County) reserve the right to have this product or material tested for quality assurance purposes. If this product or material fails to perform in the accepted manner, the manufacturer will incur the expense of such testing and the AHJ may immediately revoke, modify, or suspend the use of such product or material within their jurisdiction. RER reserves the right to revoke this acceptance, if it is determined by Miami-Dade County Product Control Section that this product or material fails to meet the requirements of the applicable building code.

This product is approved as described herein, and has been designed to comply with the Florida Building Code, including the High Velocity Hurricane Zone.

DESCRIPTION: Series "770-HP" Aluminum Sliding Glass Doors w / Reinforcements – L.M.I.

APPROVAL DOCUMENT: Drawing No. **PGT0004**, titled "Series 770 H.P. Aluminum SGD – L.M.I.", sheets 01 through 10 of 10, dated 08/05/07, prepared by manufacturer, revision "G" dated 04/03/17, signed and sealed by Anthony Lynn Miller, P. E., bearing the Miami-Dade County Product Control Section Revision stamp with the Notice of Acceptance number and expiration date by the Miami-Dade County Product Control Section.

MISSILE IMPACT RATING: Large and Small Missile Impact Resistant

LABELING: Each unit shall bear a permanent label with the manufacturer's name or logo, city, state, series, and following statement: "Miami-Dade County Product Control Approved", unless otherwise noted herein.

RENEWAL of this NOA shall be considered after a renewal application has been filed and there has been no change in the applicable building code negatively affecting the performance of this product.

TERMINATION of this NOA will occur after the expiration date or if there has been a revision or change in the materials, use, and/ or manufacture of the product or process. Misuse of this NOA as an endorsement of any product, for sales, advertising or any other purposes shall automatically terminate this NOA. Failure to comply with any section of this NOA shall be cause for termination and removal of NOA.

ADVERTISEMENT: The NOA number preceded by the words Miami-Dade County, Florida, and followed by the expiration date may be displayed in advertising literature. If any portion of the NOA is displayed, then it shall be done in its entirety.

INSPECTION: A copy of this entire NOA shall be provided to the user by the manufacturer or its distributors and shall be available for inspection at the job site at the request of the Building Official.

This NOA revises NOA No. 16-0629.07 and consists of this page 1 and evidence pages E-1, E-2 and E-3, as well as approval document mentioned above.

The submitted documentation was reviewed by **Jorge M. Plasencia, P.E.**



Jorge M. Plasencia
9/22/17

NOA No. 17-0420.13
Expiration Date: March 24, 2020
Approval Date: October 05, 2017
Page 1

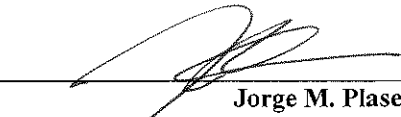
NOTICE OF ACCEPTANCE: EVIDENCE SUBMITTED

A. DRAWINGS

1. Manufacturer's die drawings and sections.
2. Drawing No. **PGT0004**, titled "Series 770 H.P. Aluminum SGD – L.M.I.", sheets 01 through 10 of 10, dated 08/05/07, prepared by manufacturer, revision "G" dated 04/03/17, signed and sealed by Anthony Lynn Miller, P. E.

B. TESTS

1. Reference Test report on 1) Uniform Static Air Pressure Test, per FBC, TAS 202-94
2) Large Missile Impact Test per FBC, TAS 201-94
3) Cyclic Wind Pressure Loading per FBC, TAS 203-94
Along with marked-up drawings and installation diagram of Aluminum Sliding Glass Doors (w/ PS, Super, Cardinal & Duraseal Spacers), prepared by Fenestration Testing Laboratory, Inc., Test Reports No(s) **FTL-8717, FTL-8970 and FTL-8968**, dated 02/15/16, 06/07/16 and 06/20/16, all signed & sealed by Idalmis Ortega, P.E.
(Submitted under previous NOA No. 16-0629.07)
2. Test reports on: 1) Uniform Static Air Pressure Test, Loading per FBC, TAS 202-94
2) Large Missile Impact Test per FBC, TAS 201-94
3) Cyclic Wind Pressure Loading per FBC, TAS 203-94
along with marked-up drawings and installation diagram of Aluminum Sliding Glass Door (XOX), prepared by Fenestration Testing Laboratory, Inc., Test Report No. **FTL-7825**, dated 06/10/2014, signed and sealed by Idalmis Ortega, P. E.
(Submitted under previous NOA No. 15-0106.08)
3. Test reports on: 1) Air Infiltration Test, per FBC, TAS 202-94
2) Uniform Static Air Pressure Test, Loading per FBC, TAS 202-94
3) Water Resistance Test, per FBC, TAS 202-94
4) Large Missile Impact Test per FBC, TAS 201-94
5) Cyclic Wind Pressure Loading per FBC, TAS 203-94
6) Forced Entry Test, per FBC 2411.3.2.1, and TAS 202-94
along with marked-up drawings and installation diagram of Aluminum Sliding Glass Doors (Samples A-1, A-2, B-1, B-2 and C-1), prepared by Fenestration Testing Laboratory, Inc., Test Report No. **FTL-7468**, dated 09/13/2013, signed and sealed by Martin D. Brinson, P. E.
(Submitted under previous NOA No. 13-1009.07)



Jorge M. Plasencia, P. E.
Product Control Unit Supervisor
NOA No. 17-0420.13
Expiration Date: March 24, 2020
Approval Date: October 05, 2017

NOTICE OF ACCEPTANCE: EVIDENCE SUBMITTED

B. TESTS (CONTINUED)


4. Test reports on: 1) Air Infiltration Test, per FBC, TAS 202-94
2) Uniform Static Air Pressure Test, Loading per FBC, TAS 202-94
3) Water Resistance Test, per FBC, TAS 202-94
4) Large Missile Impact Test per FBC, TAS 201-94
5) Cyclic Wind Pressure Loading per FBC, TAS 203-94
6) Forced Entry Test, per FBC 2411.3.2.1, and TAS 202-94
along with marked-up drawings and installation diagram of Aluminum Sliding Glass Doors, prepared by Fenestration Testing Laboratory, Inc., Test Report No. **FTL-5998R**, dated 12/29/09, revised, signed and sealed by Julio Gonzales, P. E.
(Submitted under previous NOA No. 09-0826.12)
5. Test reports on: 1) Air Infiltration Test, per FBC, TAS 202-94
2) Uniform Static Air Pressure Test, Loading per FBC, TAS 202-94
3) Water Resistance Test, per FBC, TAS 202-94
4) Large Missile Impact Test per FBC, TAS 201-94
5) Cyclic Wind Pressure Loading per FBC, TAS 203-94
6) Forced Entry Test, per FBC 2411.3.2.1, and TAS 202-94
along with marked-up drawings and installation diagram of Aluminum Sliding Glass Doors, prepared by Fenestration Testing Laboratory, Inc., Test Reports No.'s **FTL-5998**, **FTL-6005** and **FTL-6012**, dated 08/07/09, all signed and sealed by Julio Gonzales, P. E.
(Submitted under previous NOA No. 09-0826.12)
6. Additional reference supporting Test Reports No.'s **ATI72138.01-401-18** and **FTL-5254**.

C. CALCULATIONS

1. Anchor verification calculations and structural analysis, complying with **FBC 5th Edition (2014)** and **FBC 6th Edition (2017)**, prepared by manufacturer, dated 04/18/17 and revised 08/14/17, signed and sealed by Anthony Lynn Miller, P.E.
2. **Glazing complies with ASTM E1300-04/09**

D. QUALITY ASSURANCE

1. Miami-Dade Department of Regulatory and Economic Resources (RER).



Jorge M. Plasencia, P. E.
Product Control Unit Supervisor
NOA No. 17-0420.13
Expiration Date: March 24, 2020
Approval Date: October 05, 2017

PGT Industries, Inc.

NOTICE OF ACCEPTANCE: EVIDENCE SUBMITTED

E. MATERIAL CERTIFICATIONS


1. Notice of Acceptance No. **14-0916.11** issued to **Kuraray America, Inc.** for their “**SentryGlas (Clear and White) Interlayer**” dated 06/25/15, expiring on 07/04/18.

F. STATEMENTS

1. Test proposal No. **16-0152** dated 03/09/16 approved by RER.
2. Statement letter of conformance to and complying with **FBC 5th Edition (2014)** and **FBC 6th Edition (2017)**, issued by manufacturer, dated 08/14/17, signed and sealed by Anthony Lynn Miller, P. E.
3. Statement letter of no financial interests, issued by manufacturer, dated 04/18/17, signed and sealed by Anthony Lynn Miller, P. E.
4. Lab compliance as part of the above referenced Test Report No(s) **FTL-8717, FTL-8970** and **FTL-8968**.
5. Laboratory compliance letter for Test Report No. **FTL-7825**, issued by Fenestration Testing Laboratory, Inc., dated 06/10/14, signed and sealed by Idalmis Ortega, P. E.
(Submitted under previous NOA No. 15-0106.08)
6. Laboratory addendum letter for Test Report No. **FTL-7468**, issued by Fenestration Testing Laboratory, Inc., dated 01/13/14, signed by Manny Sanchez, CEO.
(Submitted under previous NOA No. 13-1009.07)
7. Laboratory compliance letter for Test Report No. **FTL-7468**, issued by Fenestration Testing Laboratory, Inc., dated 09/13/13, signed and sealed by Martin D. Brinson, P.E.
(Submitted under previous NOA No. 13-1009.07)
8. Proposal, dated 06/04/13, issued by the Product Control, signed by Jaime D. Gascon, P. E.
(Submitted under previous NOA No. 13-1009.07)
9. Laboratory compliance letter for Test Reports No.’s **FTL-5998, FTL-6005** and **FTL-6012**, all issued by Fenestration Testing Laboratory, Inc., dated 08/10/09, signed and sealed by Julio Gonzales, P. E.
(Submitted under previous NOA No. 09-0826.12)
10. Proposals No.’s **09-0177-A**, dated 05/05/09, **-B**, dated 05/27/09 and **-C**, dated 05/27/09, all issued by the Product Control, signed by Ishaq Chanda, P. E.
(Submitted under previous NOA No. 09-0826.12)

G. OTHERS

1. Notice of Acceptance No. **16-0629.07**, issued to PGT Industries, Inc. for their Series “**770-HP Aluminum Sliding Glass Doors w / Reinforcements – L.M.I.**”, approved on 08/04/16 and expiring on 03/24/20.



Jorge M. Plasencia, P. E.
Product Control Unit Supervisor
NOA No. 17-0420.13
Expiration Date: March 24, 2020
Approval Date: October 05, 2017

GENERAL NOTES: SERIES 770 H.P. LMI SLIDING GLASS DOOR WITH REINFORCEMENT

DESIGN PRESSURE RATING	IMPACT RATING
SEE TABLES 1 & 1A ON SHEET 4	RATED FOR LARGE & SMALL MISSILE IMPACT RESISTANCE

1) GLAZING TYPE OPTIONS: (GLASS RECIPES ARE FROM EXTERIOR TO INTERIOR)

GLASS STRENGTHS: T = TEMPERED HS = HEAT STRENGTHED

INTERLAYER TYPES: SG = .090" SENTRYGLAS

G4 - 7/16" LAMINATED: (2) LITES OF 3/16" HS WITH .090" SG INTERLAYER.

G4A - 9/16" LAMINATED: (2) LITES OF 1/4" HS GLASS WITH .090" SG INTERLAYER.

G6 - 1" LAMINATED INSULATING GLASS: 3/16" T EXT. CAP + 3/8" AIR SPACE + 7/16" LAMINATED: (2) LITES OF 3/16" HS GLASS WITH .090" SG INTERLAYER.

G6A - 1" LAMINATED INSULATING GLASS: 1/4" T EXT. CAP + 5/16" AIR SPACE + 7/16" LAMINATED: (2) LITES OF 3/16" HS GLASS WITH .090" SG INTERLAYER.

2) DESIGN PRESSURES: A. NEGATIVE DESIGN LOADS BASED ON TESTED PRESSURE AND GLASS TABLES ASTM E1300.

B. POSITIVE DESIGN LOADS BASED ON WATER TEST PRESSURE AND GLASS TABLES ASTM E1300.

C. DESIGN LOADS ARE BASED ON ALLOWABLE STRESS DESIGN, ASD.

3) ANCHORAGE: THE 33-1/3% STRESS INCREASE HAS NOT BEEN USED IN THE DESIGN OF THIS PRODUCT. MATERIALS, INCLUDING BUT NOT LIMITED TO STEEL SCREWS, THAT COME INTO CONTACT WITH OTHER DISSIMILAR MATERIALS SHALL MEET THE REQUIREMENTS OF THE CURRENT FLORIDA BUILDING CODE. FOR ANCHORAGE DETAILS SEE SHEETS 4-6.

4) SHUTTERS ARE NOT REQUIRED PER FBC REQUIREMENTS, AS APPLICABLE.

5) INSTALLATION SCREWS, FRAME AND PANEL CORNERS TO BE SEALED WITH NARROW JOINT SEALANT.

6) REFERENCES: TEST REPORTS FTL-5998, FTL-6005, FTL-7468, FTL-6012 & FTL-7825.

7) THIS PRODUCT HAS BEEN DESIGNED & TESTED TO COMPLY WITH THE REQUIREMENTS OF THE CURRENT FLORIDA BUILDING CODE, INCLUDING THE HIGH VELOCITY HURRICANE ZONE (HVHZ).

8) DOOR SIZES MUST BE VERIFIED FOR COMPLIANCE WITH EGRESS REQUIREMENTS PER CURRENT FLORIDA BUILDING CODE, AS APPLICABLE.

9) CONFIGURATIONS: STRAIGHT DOORS - MAXIMUM 2 TRACKS BY 9 FT. (108") HIGH WITH MAXIMUM 4 FT. NOMINAL WIDE DOOR PANELS, MAXIMUM 4 PANELS. SEE EXAMPLE ELEVATIONS AND PANEL CONFIGURATIONS ON SHEETS 2 & 7.

D.L.O. WIDTH = NOM. PANEL WIDTH - 7"

D.L.O. HEIGHT = DOOR UNIT HEIGHT - 10.125"

PANEL HEIGHT = DOOR UNIT HEIGHT - 1.866"

NOTES PERTAINING TO ANCHORAGE DETAILS ON SHEET 5-6:

1) FOR CONCRETE/CMU SUBSTRATE APPLICATIONS IN MIAMI-DADE COUNTY, USE ONLY MIAMI-DADE COUNTY APPROVED ANCHORS. SEE TABLE A ON THIS SHEET FOR EMBEDMENT, EDGE DISTANCE AND SUBSTRATE REQUIREMENTS.

2) FOR OTHER SUBSTRATE APPLICATIONS SEE TABLE ON THIS SHEET.

3) WOOD BUCKS DEPICTED AS 1X ARE LESS THAN 1-1/2" THICK. 1X WOOD BUCKS ARE OPTIONAL IF UNIT IS INSTALLED DIRECTLY TO SOLID CONCRETE. WOOD BUCKS DEPICTED AS 2X ARE 1-1/2" THICK OR GREATER. 1X AND 2X BUCKS (WHEN USED) SHALL BE DESIGNED TO PROPERLY TRANSFER LOADS TO THE STRUCTURE. BUCK DESIGN AND INSTALLATION IS THE RESPONSIBILITY OF THE ENGINEER OR ARCHITECT OF RECORD.

4) METAL SUBSTRATE TO MEET MIN. STRENGTH AND THICKNESS REQUIREMENTS PER CURRENT FLORIDA BUILDING CODE AND TO BE REVIEWED BY THE AUTHORITY HAVING JURISDICTION.

5) IF SILL IS TIGHT TO SUBSTRATE, GROUT OR OTHER MATERIAL IS NOT REQUIRED. IF USED, NON-SHRINK, NON-METALLIC GROUT, MAX. 1/4" THICK & 3400 PSI MIN., (DONE BY OTHERS) MUST FULLY SUPPORT THE ENTIRE LENGTH OF THE SILL THAT IS NOT TIGHT TO THE SUBSTRATE, AND TRANSFER SHEAR LOAD TO SUBSTRATE. IF SUBSTRATE IS WOOD, 30# FELT PAPER OR MASTIC IS REQUIRED BETWEEN THE GROUT AND WOOD SUBSTRATE, OR AS APPROVED BY THE AUTHORITY HAVING JURISDICTION.

CODES / STANDARDS USED:

- 2017 FLORIDA BUILDING CODE (FBC), 6TH EDITION
- 2014 FLORIDA BUILDING CODE (FBC), 5TH EDITION
- ASTM E1300-09
- ANSI/AF&PA NDS-2015 FOR WOOD CONSTRUCTION
- ALUMINUM DESIGN MANUAL, ADM-2015
- AISI S100-12
- AISC 360-10

SHEET

GENERAL NOTES.....	1
ELEVATIONS.....	2
GLAZING DETAILS.....	3
ANCHORAGE.....	4-6
DESIGN PRESSURES.....	4
ELEVATIONS.....	7
CONFIGURATIONS.....	7
VERT. SECTIONS.....	8
HORIZ. SECTIONS.....	8
PARTS LIST.....	9
EXTRUSIONS.....	10

TABLE A:

Anchor Group	Anchor Type	Frame Member	Substrate	Min. Edge Distance	Min. O.C. Distance	Min. Embedment or Metal Thickness
A	#12 18-8 SMS, F _y =60 ksi, F _u =95 ksi #12 410 SS SMS, F _y =90 ksi, F _u =110 ksi	All	Southern Pine (SG = 0.55)	9/16"	7/8"	1-3/8"
			6063-T5 Aluminum	3/8"	9/16"	0.071"
			A36 Steel	3/8"	9/16"	0.050"
			Gr. 33 Steel Stud	3/8"	9/16"	0.045" (18 Ga)
	1/4" Elco Aggre-Gator® F _y =57 ksi, F _u =96 ksi	All	Concrete (min. 2.22 ksi)	1-1/2"	3"	1-3/8"
B	#12 Steel SMS (Gr. 5)	All	Southern Pine (SG = 0.55)	9/16"	7/8"	1-3/8"
			6063-T5 Aluminum	3/8"	9/16"	0.071"
			A36 Steel	3/8"	9/16"	0.050"
			Gr. 33 Steel Stud	3/8"	9/16"	0.045" (18 Ga)
C	1/4" Elco UltraCon® F _y =155 ksi, F _u =177 ksi	All	Concrete (min. 2.85 ksi)	1"	4"	1-3/8"
		Jamb	Hollow Block (ASTM C90)	1"	6"	1-1/4"
D	1/4" Elco UltraCon® F _y =155 ksi, F _u =177 ksi	All	Concrete (min. 2.85 ksi)	2-1/2"	4"	1-3/8"
		Jamb	Filled Block (ASTM C90)	2-1/2"	4"	1-3/4"
		Jamb	Hollow Block (ASTM C90)	2-1/2"	6"	1-1/4"
	1/4" 410 SS Elco CreteFlex® F _y =127.4 ksi, F _u =189.7 ksi	Head / Sill	Concrete (min. 3.35 ksi)	1"	4"	1-3/4"
		Jamb	Concrete (min. 3.35 ksi)	1"	6"	1-3/4"
All	Southern Pine (SG = 0.55)	Jamb	Hollow Block (ASTM C90)	2-1/2"	6"	1-1/4"
		All	Southern Pine (SG = 0.55)	1"	1"	1-3/8"

1) WHERE SUBSTRATE CONDITIONS REQUIRE ANCHORAGE FROM MORE THAN ONE OF THE ANCHOR GROUPS ABOVE, CHOOSE THE ANCHOR GROUP OF THE LOWEST LETTER FOR ALL TABLES IN THIS APPROVAL.

2) ALL ANCHOR HEAD TYPES ARE APPLICABLE.

3) FOR STEEL STUDS, MIN. F_U = 45 KSI, MIN F_Y = 33 KSI.

4) FILLED BLOCK VALUES MAY ALSO BE USED IN HOLLOW BLOCK APPLICATIONS.

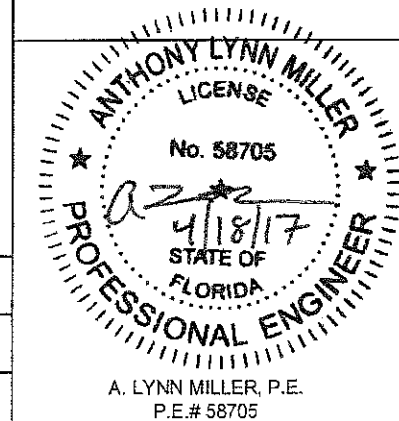
5) ANCHORS MUST BE OF SUFFICIENT LENGTH SO THAT A MINIMUM OF 3 THREADS EXTEND BEYOND METAL SUBSTRATE.

Revised By: JR	Date: 04/03/17	Revisions: G	UPDATED TO FBC 2017, REV. TABLES 1 & A, JAMB OC.
Drawn By: SMC	Date: 08/05/07	Checked By: RJA	Date: RJA

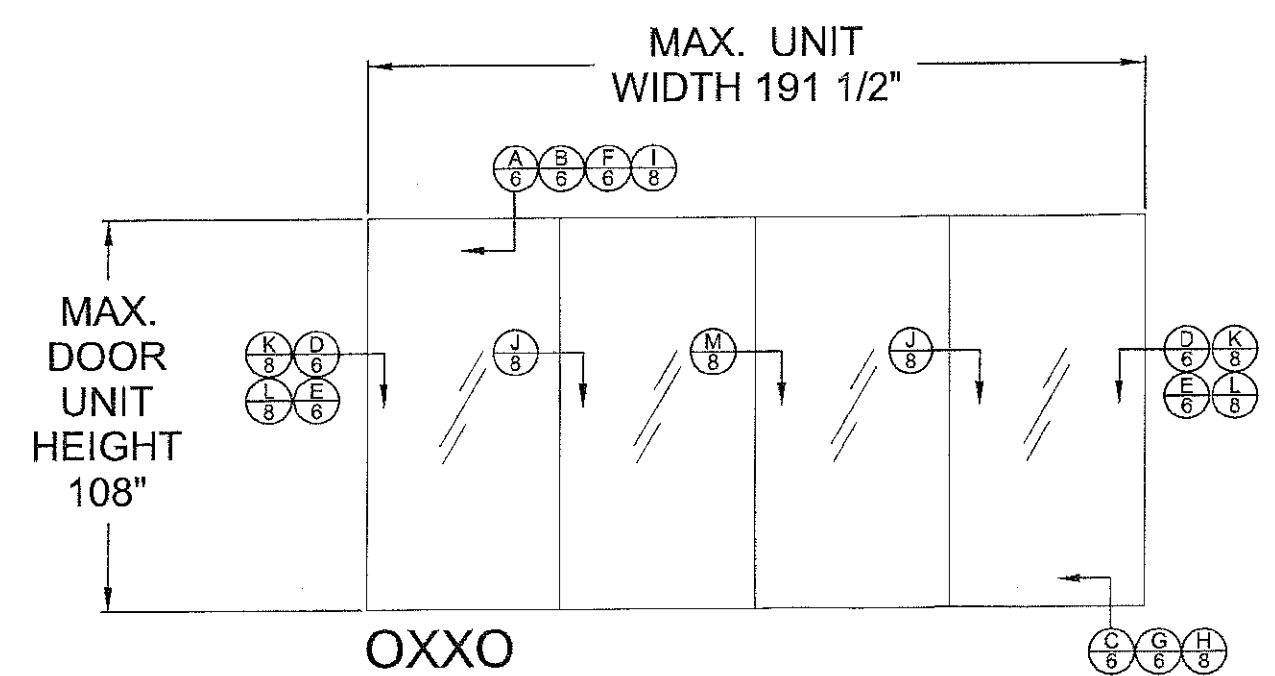
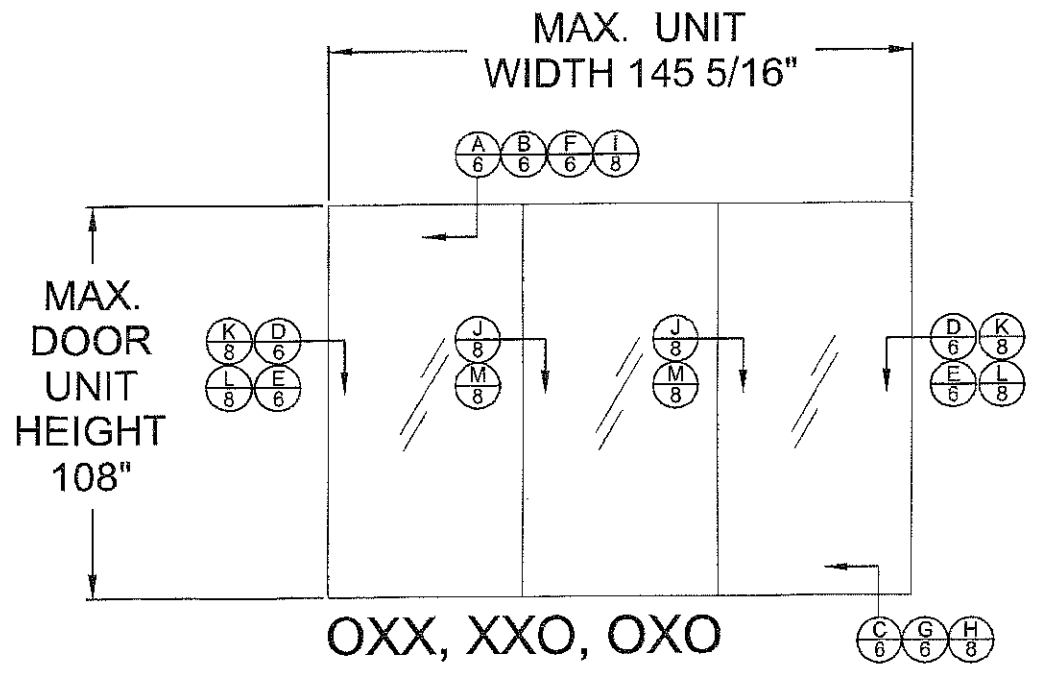
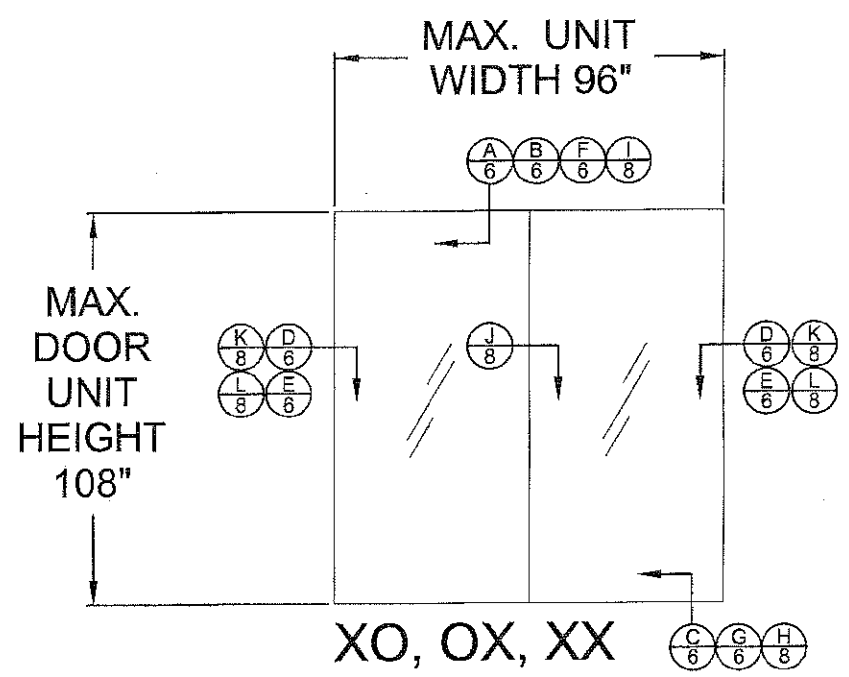
1070 TECHNOLOGY DRIVE
N. VENICE, FL 34275
(941) 480-1600
CERT. OF AUTH. #29296
COPYRIGHT © 2017
PGT INDUSTRIES, INC.
ALL RIGHTS RESERVED




Description: GENERAL NOTES AND MAP			
Title: SERIES 770 H.P. ALUMINUM SGD - LMI			
Series/Model: SGD770 H.P.	Scale: NTS	Sheet: 1 of 10	Drawing No. PGT0004
Rev: G			

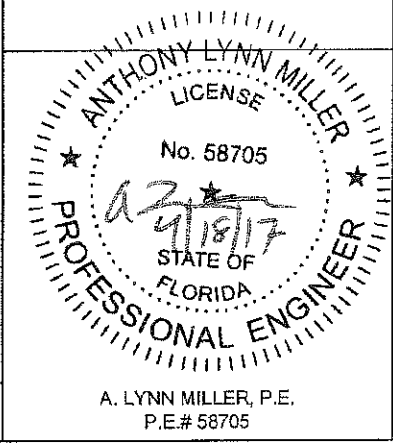


A. LYNN MILLER, P.E.
P.E.# 58705



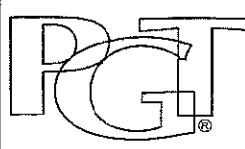
APPROVED CONFIGURATIONS

PRODUCT REVISED
 as complying with the Florida
 Building Code
 NOA-No. **17-0420.13**
 Expiration Date **03/24/2020**
 By 
 Miami-Dade Product Control



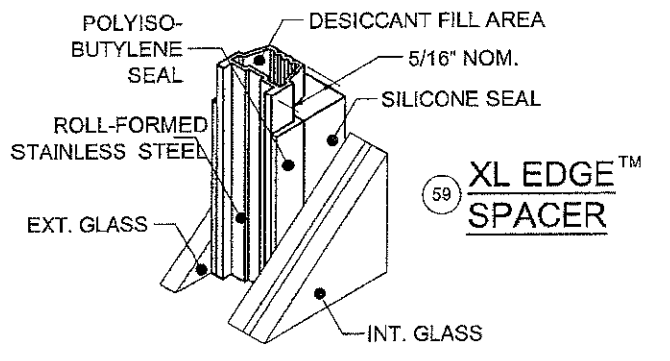
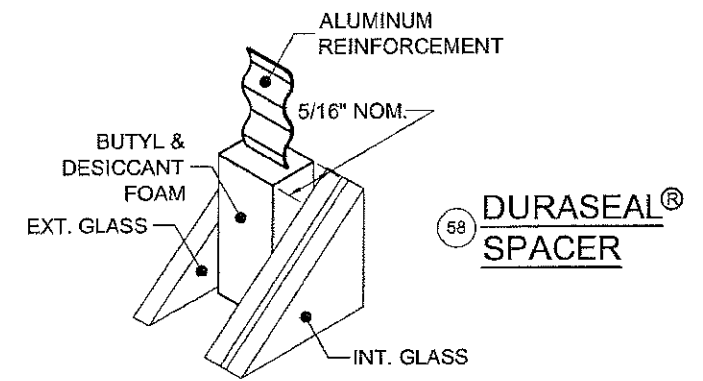
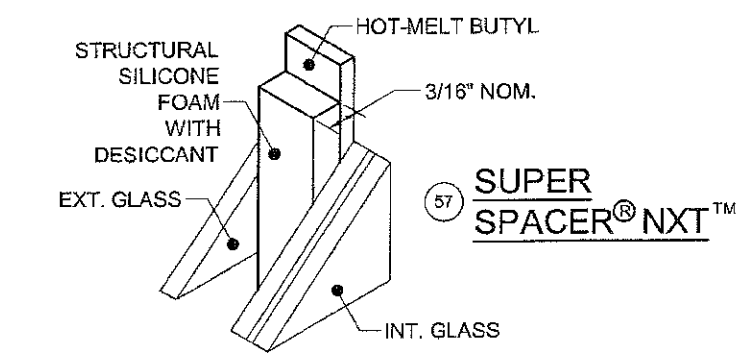
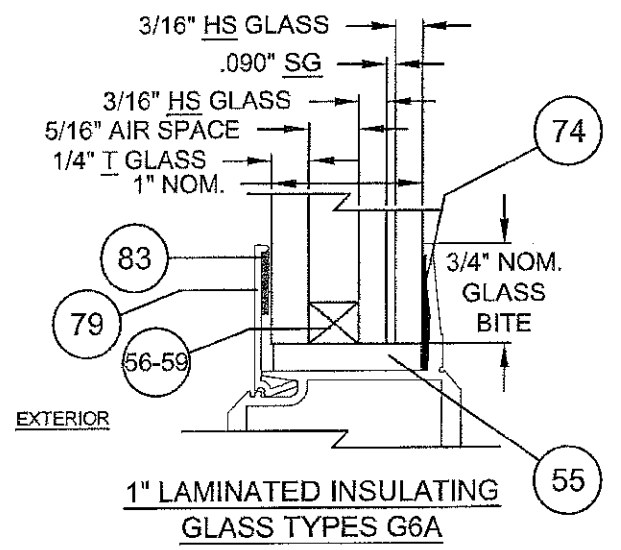
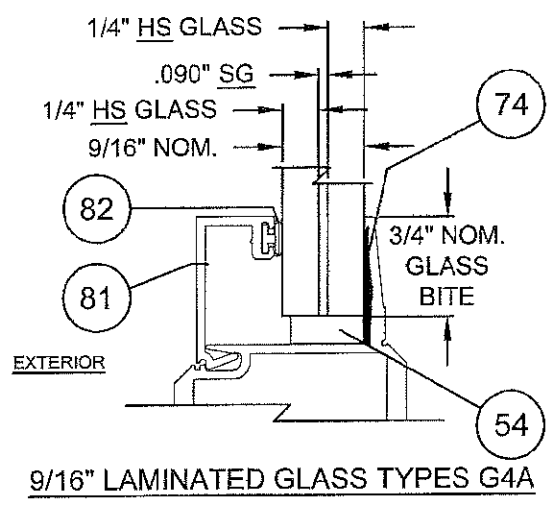
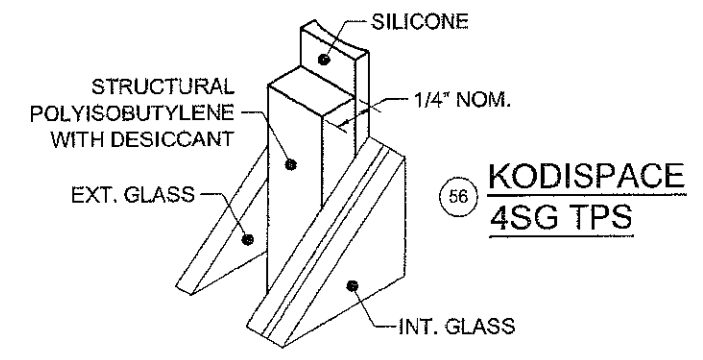
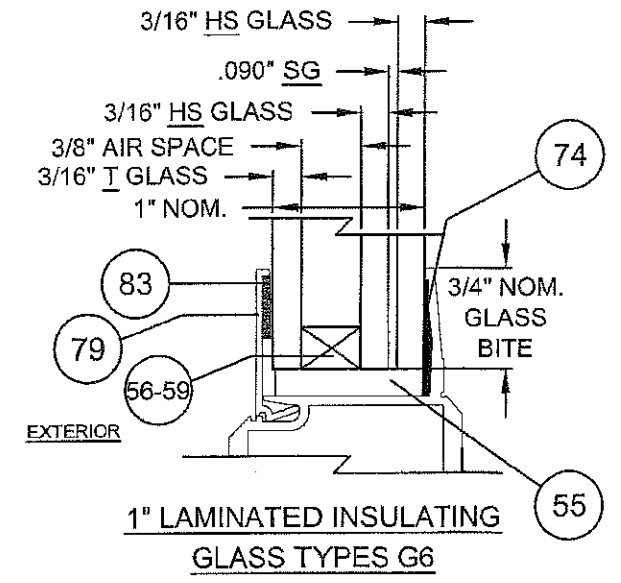
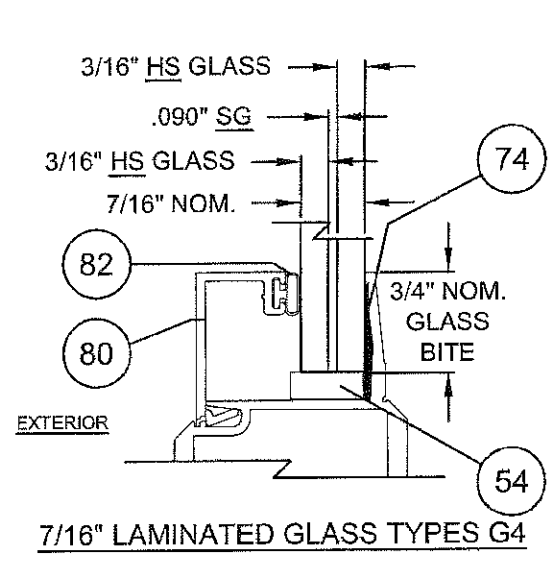
Revsd By:	Date:	Revisions:	
JR	04/03/17	G	NO CHANGES THIS SHEET.
Drawn By:	Date:	Checked By:	Date:
SMC	08/05/09	RJA	

1070 TECHNOLOGY DRIVE
 N. VENICE, FL 34275
 (941) 480-1600
 CERT. OF AUTH. #29296
 COPYRIGHT © 2017
 PGT INDUSTRIES, INC.
 ALL RIGHTS RESERVED



Description:			
ELEVATIONS			
Title:			
SERIES 770 H.P. ALUMINUM SGD - LMI			
Series/Model:	Scale:	Sheet:	Drawing No.:
SGD770 H.P.	NTS	2 of 10	PGT0004
Rev:			
G			

A. LYNN MILLER, P.E.
 P.E.# 58705



Part #	Description	Material
56	Kommerling 4SG TPS Spacer System	See this Sheet for Materials
57	Quanex Super Spacer nXT with Hot Melt Butyl	
58	Quanex Duraseal Spacer	
59	Cardinal XL Edge Spacer	

REFERENCE TEST REPORTS: FTL-8717, 8968 & 8970

GLAZING NOTES:
 "HS" = HEAT STRENGTHENED
 "T" = TEMPERED
 "SG" = .090" SENTRYGLAS[®] BY KURARAY AMERICA, INC.

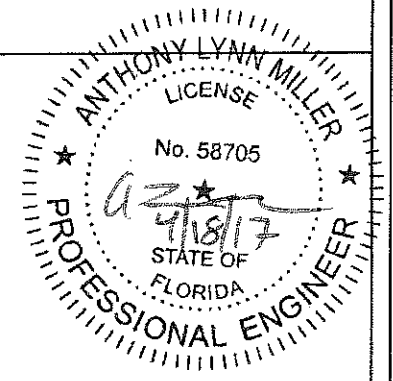
Revised By: JR	Date: 04/03/17	Revisions: G	NO CHANGES THIS SHEET.
Drawn By: SMC	Date: 08/05/09	Checked By: RJA	

1070 TECHNOLOGY DRIVE
 N. VENICE, FL 34275
 (941) 480-1600
 CERT. OF AUTH. #29296
 COPYRIGHT © 2017
 PGT INDUSTRIES, INC.
 ALL RIGHTS RESERVED



Description: GLAZING DETAILS			
Title: SERIES 770 H.P. ALUMINUM SGD - LMI			
Series/Model: SGD770 H.P.	Scale: NTS	Sheet: 3 of 10	Drawing No. PGT0004
			Rev: G

PRODUCT REVISED
 as complying with the Florida
 Building Code
 NOA-No. 17-0420.13
 Expiration Date 03/24/2020
 By Miami-Dade Product Control



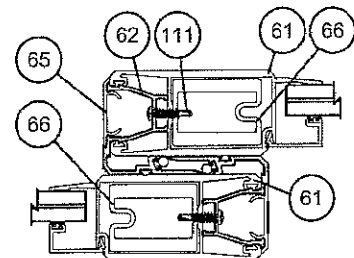
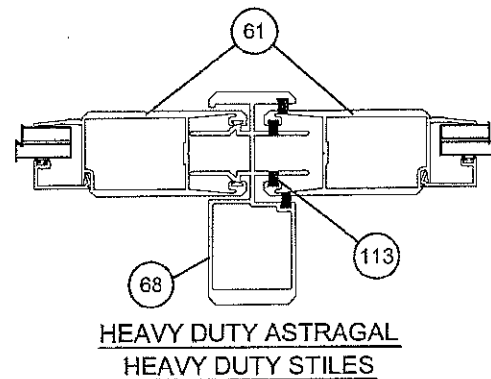
A. LYNN MILLER, P.E.
 P.E.# 58705

TABLE 1:

Reinforced Interlocks Heavy-duty Astragal Heavy-duty Stiles		Design Pressure (DP) and Anchor Quantities Required (For all approved Configurations, Sheet 2 and Glass Types, Sheet 3)																										
		Door Unit Height																										
		80"				84"				90"				98"				102"				108"						
		69-7/8" DLO				73-7/8" DLO				79-7/8" DLO				87-7/8" DLO				91-7/8" DLO				97-7/8" DLO						
Nominal Panel Width (in)		DLO		Design Pressure		Anchor Group				Anchor Group				Anchor Group				Anchor Group				Anchor Group						
						A	B	C	D	A	B	C	D	A	B	C	D	A	B	C	D	A	B	C	D			
						A	B	C	D	A	B	C	D	A	B	C	D	A	B	C	D	A	B	C	D			
24"	17"	DLO	+90/-130																									
			Head/Sill	C5+2	C5+2	C5+2	C5+2	C5+2	C5+2	C5+2	C5+2	C5+2	C5+2	C5+2	C5+2	C5+2	C5+2	C5+2	C5+2	C5+2	C5+2	C5+2	C5+2	C5+2	C5+2	C5+2	C5+2	
			Jamb	10	8	8	8	10	8	8	8	10	10	10	10	12	10	10	10	12	10	10	10	14	10	10	10	
	30"	23"	DLO	+90/-130																								
				Head/Sill	C5+2	C5+2	C5+2	C5+2	C5+2	C5+2	C5+2	C5+2	C5+2	C5+2	C5+2	C5+2	C6+2	C6+2	C6+2	C6+2	C6+2	C6+2	C6+2	C6+2	C6+2	C6+2	C6+2	C6+2
				Jamb	12	10	8	8	12	10	8	8	12	10	10	10	14	12	10	10	14	12	10	10	16	12	10	10
	36"	29"	DLO	+90/-130																								
				Head/Sill	C5+2	C5+2	C5+2	C5+2	C6+2	C6+2	C5+2	C5+2	C6+2	C6+2	C6+2	C6+2	C7+2	C7+2	C6+2	C6+2	C7+2	C7+2	C7+2	C7+2	C7+2	C7+2	C7+2	C7+2
				Jamb	12	10	8	8	14	12	8	8	14	12	10	10	16	14	10	10	18	14	10	10	18	14	12	10
	42"	35"	DLO	+90/-130																								
				Head/Sill	C6+2	C6+2	C6+2	C6+2	C6+2	C6+2	C6+2	C6+2	C7+2	C7+2	C6+2	C6+2	C7+2	C7+2	C7+2	C7+2	C8+2	C8+2	C7+2	C7+2	C8+2	C8+2	C7+2	C7+2
				Jamb	14	12	8	8	16	12	10	8	16	14	10	10	18	14	12	10	20	16	12	10	20	16	12	10
48"	41"	DLO	+90/-130																									
			Head/Sill	C6+3	C6+3	C6+3	C6+3	C7+3	C7+3	C6+3	C6+3	C7+3	C7+3	C7+3	C7+3	C8+3	C8+3	C8+3	C8+3	C8+3	C8+3	C7+3	C7+3	C8+3	C8+3	C7+2	C7+2	
			Jamb	16	12	10	8	16	14	10	8	18	14	12	10	20	16	12	10	20	16	12	10	20	16	12	10	

NOTE: JAMB ANCHORS ARE SPECIFIED AS THE TOTAL QUANTITY, DIVIDE BY 2 FOR PAIRS TO BE INSTALLED.

○ = EXAMPLE ON SHEET 5



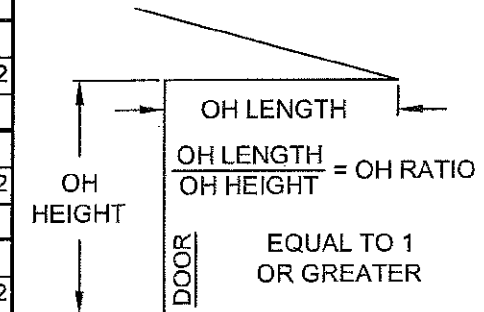
1. POSITIVE PRESSURES IN TABLE ARE BASED ON THE USE OF THE 4" SILL.
2. WHEN USING THE 2 1/2" SILL, POSITIVE DP IS 46.67 PSF MAX. AND WITH THE 3 1/4" SILL, POSITIVE PRESSURES IS 60.0 PSF MAX. (NEGATIVE PRESSURES UNCHANGED). SEE TABLE 1A ON THIS SHEET.
3. 2 1/2", 3 1/4" AND 4" SILL HEIGHTS ARE TESTED FOR WATER INFILTRATION WHEREAS THE 1 1/2" SILL IS NOT AND MUST ONLY BE USED WHERE WATER RESISTANCE IS NOT REQUIRED. POSITIVE DESIGN PRESSURES SHOWN IN TABLE 1 MAY BE USED WHEN THE DOOR IS PROTECTED BY AN OVERHANG COMPLYING WITH THE CURRENT FLORIDA BUILDING CODE (SEE ADJACENT DIAGRAM); THIS CONDITION IS NOT RATED FOR WATER INFILTRATION.
4. SEE SHEETS 1, 5 & 6 FOR ANCHORAGE SPACING, EDGE DISTANCE AND EMBEDMENT INFORMATION.
5. DOOR SIZE TO COMPLY WITH FBC EGRESS REQUIREMENTS.

D.L.O. WIDTH = NOM. PANEL WIDTH - 7"
D.L.O. HEIGHT = DOOR UNIT HEIGHT - 10.125"
PANEL HEIGHT = DOOR UNIT HEIGHT - 1.866"

TABLE 1A:

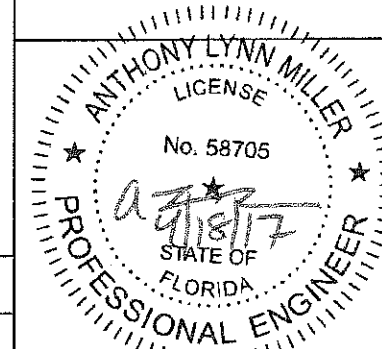
Sill Height to Max. (+) DP (Water Infiltration Rating)	
Sill Riser Height	(+) Design Pressure, psf
Flush - 1-1/2"	see note 3
Low - 2-1/2"	+ 46.67
Medium - 3-1/4"	+ 60.0
High - 4"	+ 90.0

SEE NOTES 1-3



SEE NOTE 3

PRODUCT REVISED
as complying with the Florida
Building Code
NOA-No. **17-0420.13**
Expiration Date **03/24/2020**
By *[Signature]*
Miami-Dade Product Control



A. LYNN MILLER, P.E.
P.E.# 58705

Revised By:	Date:	Revisions:	
JR	04/03/17	G	REVISED TABLE 1.
Drawn By:	Date:	Checked By:	Date:
SMC	8/5/09		

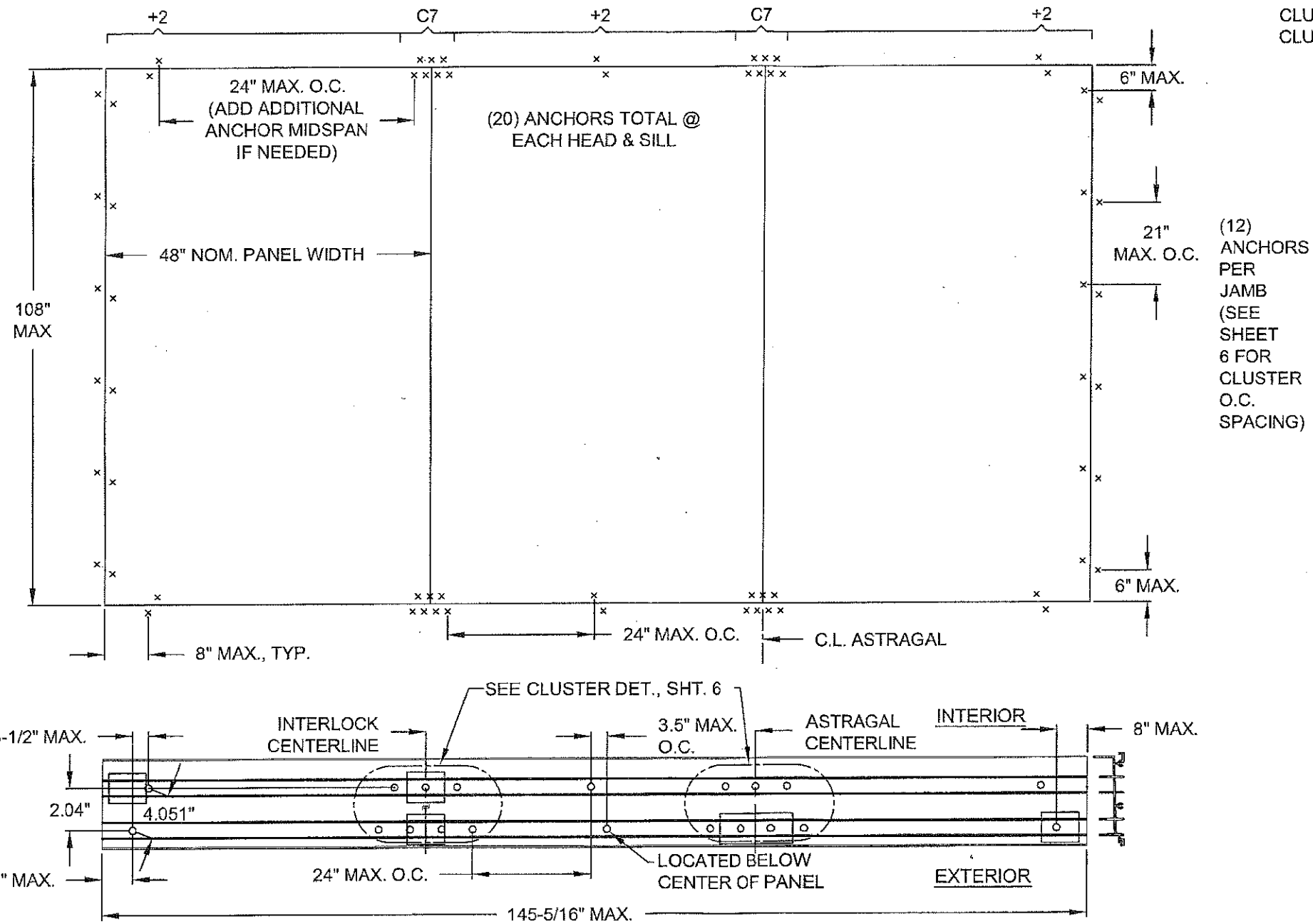
1070 TECHNOLOGY DRIVE
N. VENICE, FL 34275
(941) 480-1600
CERT. OF AUTH. #29296
COPYRIGHT © 2017
PGT INDUSTRIES, INC.
ALL RIGHTS RESERVED



Description: DP AND ANCHORAGE CHART		Title: SERIES 770 H.P. ALUMINUM SGD - LMI	
Series/Model: SGD770 H.P.	Scale: NTS	Sheet: 4 of 10	Drawing No. PGT0004
Rev:			G

EXAMPLE OXX ANCHORAGE PLAN:

(3) PANEL, 48" x 108" DOOR FROM TABLE ON SHEET 4, ANCHOR TYPES C IN CONCRETE SUBSTRATE



"ANCHORS PER PANEL" ARE THOSE AT THE HEAD AND SILL BETWEEN CLUSTERS OR THOSE BETWEEN A CLUSTER AND A FRAME JAMB.

PRODUCT REVISED
 as complying with the Florida
 Building Code
 NOA-No. **17-0420.13**
 Expiration Date **03/24/2020**
 By *[Signature]*
 Miami-Dade Product Control

ANCHORAGE REQUIREMENTS NOTES:

1. APPROVED ANCHOR TYPES: SEE TABLE A, SHEET 1.
2. ANCHOR LOCATION SPACING FOR ANCHOR QUANTITIES SPECIFIED IN TABLE 1 ON SHEET 4:

HEAD & SILL..... 8" MAX. FROM FRAME CORNERS. USE SPECIFIED CLUSTER FROM TABLE ON SHEET 4 AT EACH INTERLOCK AND ASTRAGAL LOCATION, PLUS SPECIFIED QUANTITY OF ADDITIONAL INTERMEDIATE ANCHORS PER PANEL (THE 8" FROM CORNER ANCHORS CAN BE INCLUDED). ADDITIONAL ANCHORS 24" MAX. ON CENTER.
 SEE EXAMPLE ANCHORAGE PLANS ABOVE AND EXAMPLE CLUSTERS AT ASTRAGAL / INTERLOCKS ON SHEET 6.

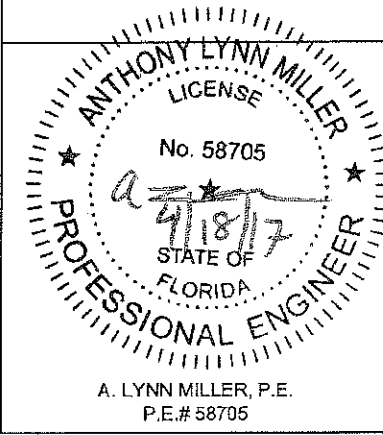
JAMBS..... 6" MAX. FROM BOTTOM AND 21" MAX. O.C.
 UTILIZING JAMB ANCHOR QUANTITIES FROM TABLE ON SHEET 4.

Revised By:	Date:	Revisions:	
JR	04/03/17	G	NO CHANGES THIS SHEET.
Drawn By:	Date:	Checked By:	Date:
SMC	08/05/09	RJA	

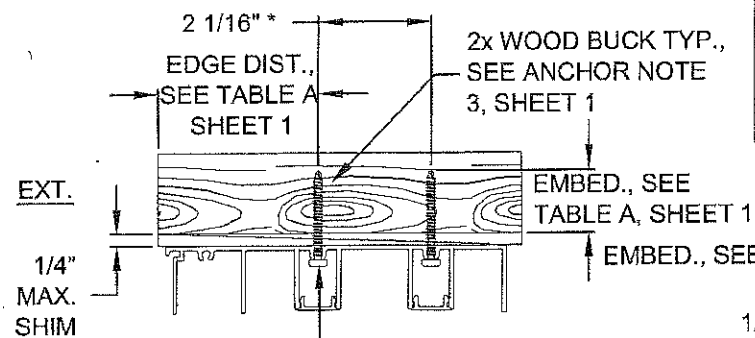
1070 TECHNOLOGY DRIVE
 N. VENICE, FL 34275
 (941) 480-1600
 CERT. OF AUTH. #29296
 COPYRIGHT © 2017
 PGT INDUSTRIES, INC.
 ALL RIGHTS RESERVED



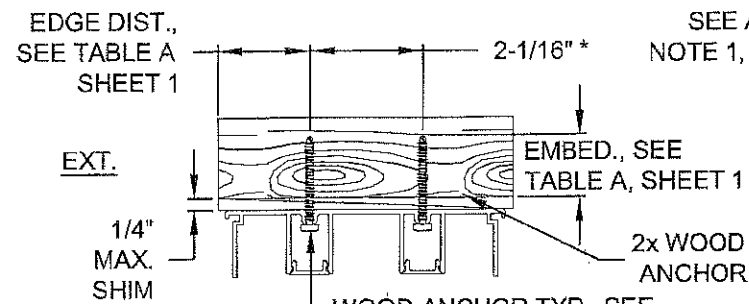
Description:
ANCHORAGE SPACING & EXAMPLE PLANS
 Title:
SERIES 770 H.P. ALUMINUM SGD - LMI
 Series/Model: SGD770 H.P. Scale: NTS Sheet: 5 of 10 Drawing No. PGT0004 Rev: G



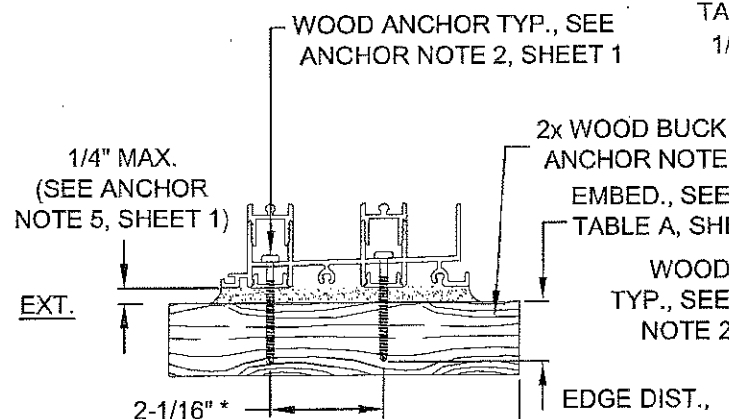
NOTES:
 1. ALL DIMENSIONS SHOWN ARE BASED ON MINIMUM ALLOWED.
 2. METAL SUBSTRATES SIMILAR TO WOOD SUBSTRATES AS SHOWN.
 * DIAGONAL, O.C. DIMENSION IS 4.051" IN THE HEAD & SILL, 6" IN THE JAMB.



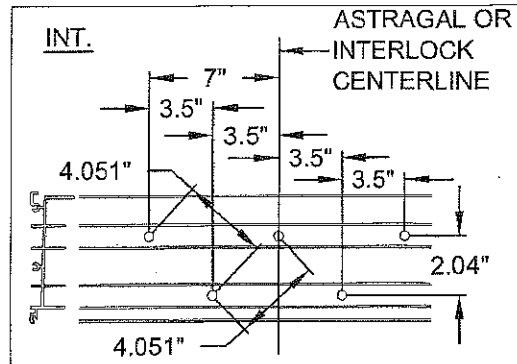
DETAIL A, 2-TRACK W/ SCREEN FRAME HEAD WOOD INSTALLATION



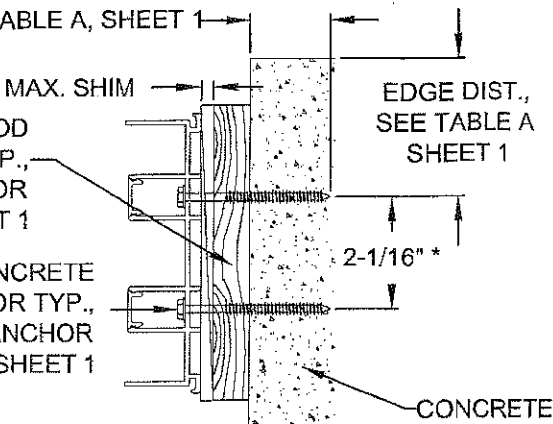
DETAIL B, 2-TRACK FRAME HEAD WOOD INSTALLATION



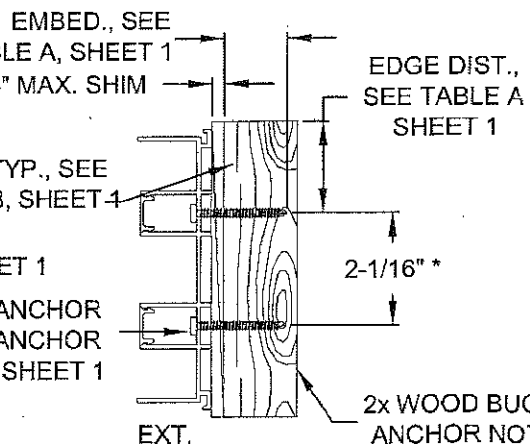
DETAIL C, 2-TRACK FRAME SILL WOOD INSTALLATION



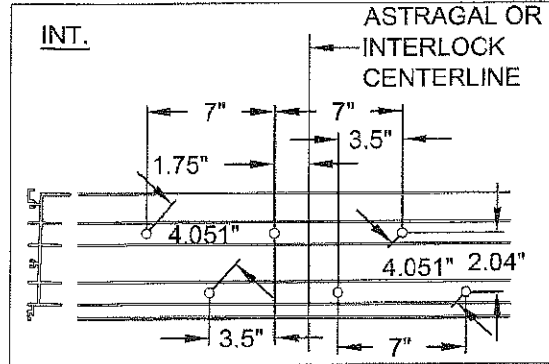
2-TRACK, ASTRAGAL / INTERLOCK 5 ANCHOR CLUSTER - C5



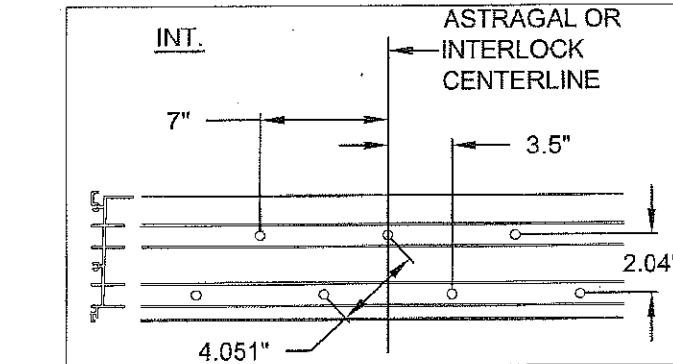
DETAIL E, 2-TRACK FRAME JAMB WOOD INSTALLATION



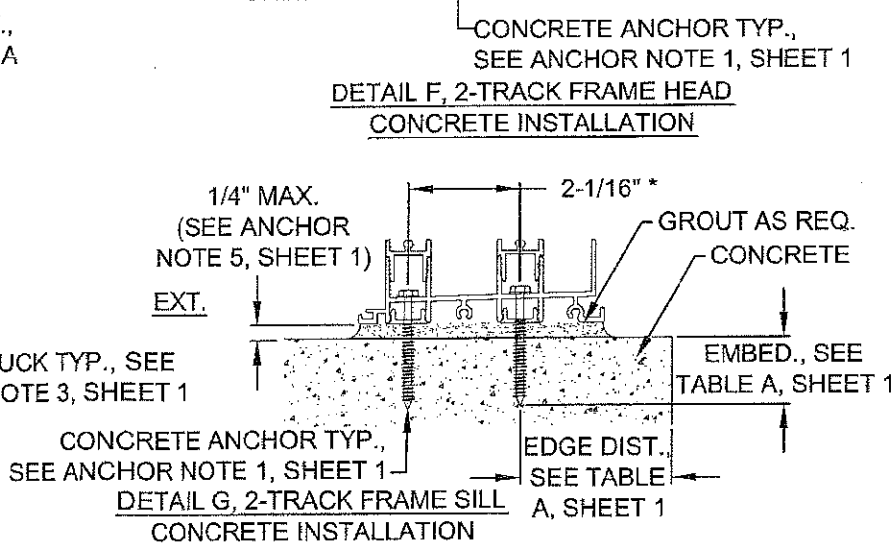
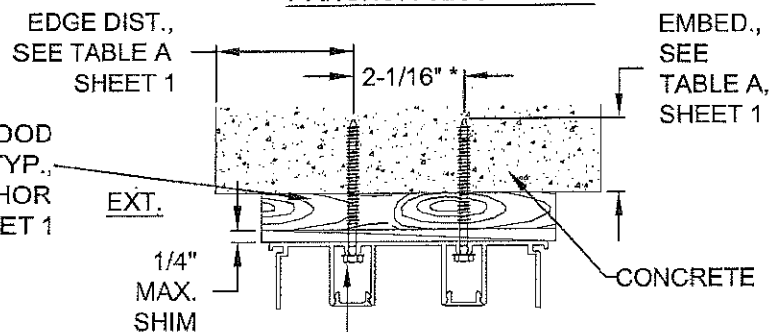
DETAIL F, 2-TRACK FRAME HEAD CONCRETE INSTALLATION



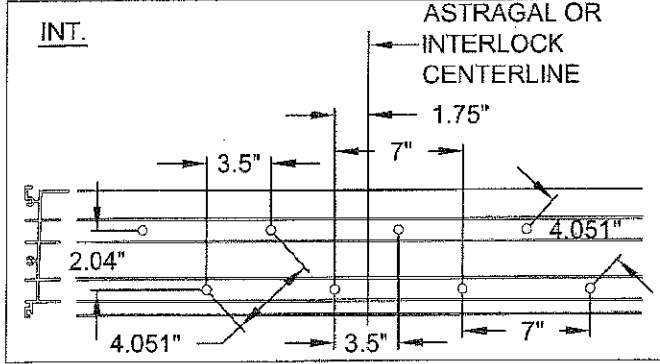
2-TRACK, ASTRAGAL / INTERLOCK 6 ANCHOR CLUSTER - C6



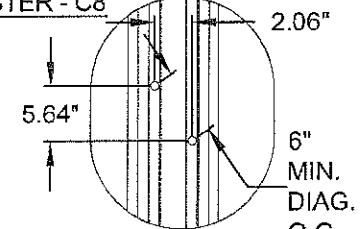
2-TRACK, ASTRAGAL / INTERLOCK 7 ANCHOR CLUSTER - C7



DETAIL G, 2-TRACK FRAME SILL CONCRETE INSTALLATION



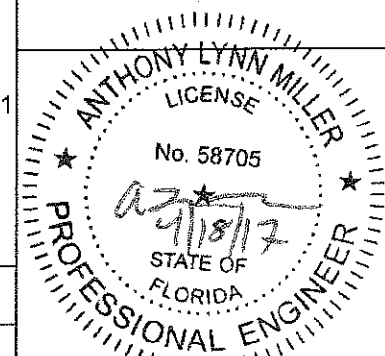
2-TRACK, ASTRAGAL / INTERLOCK 8 ANCHOR CLUSTER - C8



TYPICAL JAMB ANCHOR PAIR FOR DETAILS "D" & "E", SEE ELEVATION FOR O.C. SPACING, SHEET 5

EXTERIOR INTERIOR (ALL VERT. SECTIONS)

PRODUCT REVISED
 as complying with the Florida Building Code
 NOA-No. 17-0420.13
 Expiration Date 03/24/2020
 By Miami-Dade Product Control



A. LYNN MILLER, P.E.
 P.E.# 58705

Revised By:	Date:	Revisions:	
JR	04/03/17	G	CHANGED JAMB OC TO 6".
Drawn By:	Date:	Checked By:	Date:
SMC	08/05/09	FLJA	

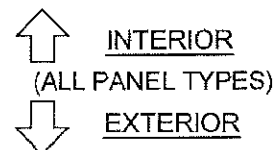
1070 TECHNOLOGY DRIVE
 N. VENICE, FL 34275
 (941) 480-1600
 CERT. OF AUTH. #29296
 COPYRIGHT © 2017
 PGT INDUSTRIES, INC.
 ALL RIGHTS RESERVED



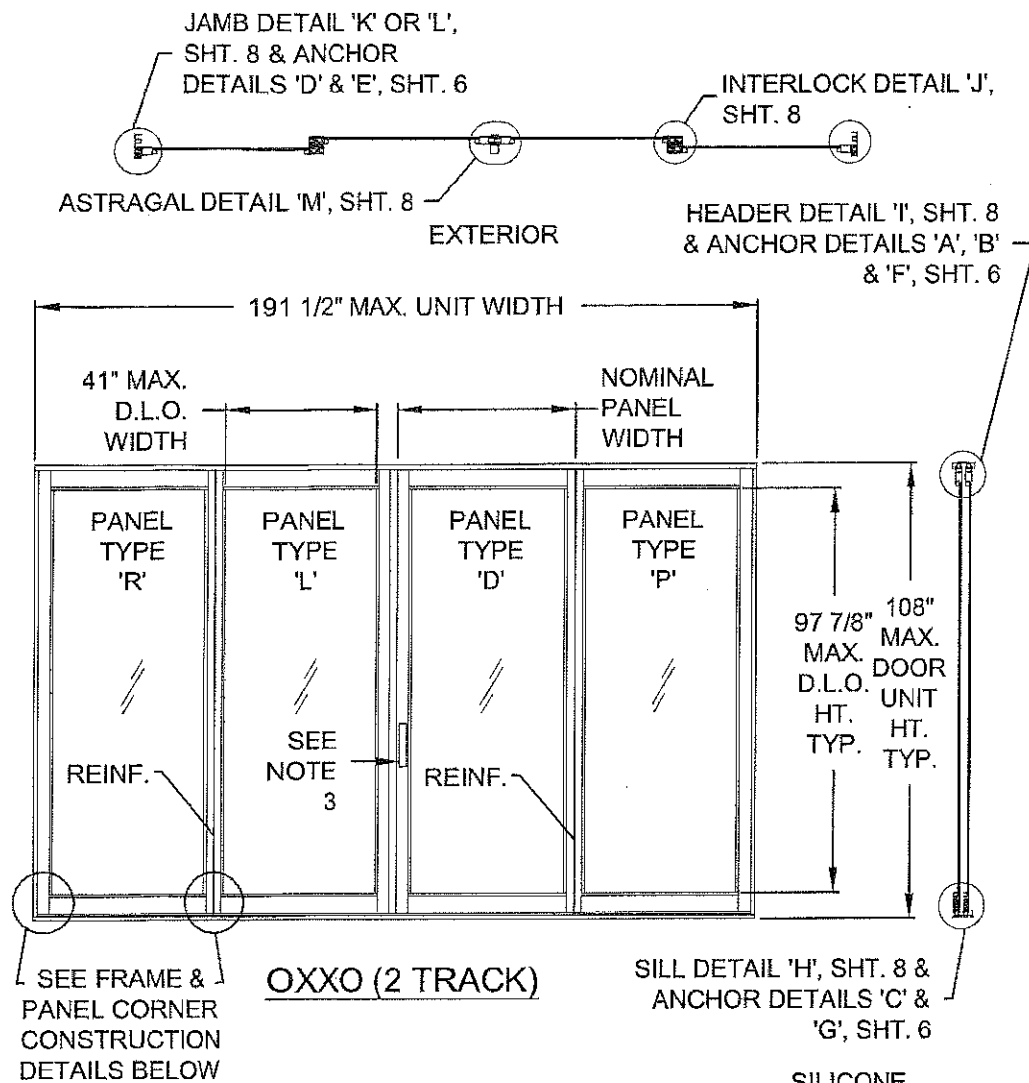
Description: ANCHORAGE, EXAMPLE CLUSTERS			
Title: SERIES 770 H.P. ALUMINUM SGD - LMI			
Series/Model:	Scale:	Sheet:	Drawing No.:
SGD770 H.P.	NTS	6 of 10	PGT0004
Rev:			
G			

PANEL LETTER			
K	SINGLE INTERLOCK		LOCKSTILE
A	SINGLE INTERLOCK		LOCKSTILE
D	LOCKSTILE		SINGLE INTERLOCK
M	LOCKSTILE		SINGLE INTERLOCK
L (BOX OUT)	SINGLE INTERLOCK		ASTRAGAL OUT
LR (BOX OUT)	ASTRAGAL OUT		SINGLE INTERLOCK
N (BOX OUT)	ASTRAGAL IN		SINGLE INTERLOCK
C (BOX IN)	SINGLE INTERLOCK		ASTRAGAL IN
P	SINGLE INTERLOCK		FIXED LOCKSTILE
R	FIXED LOCKSTILE		SINGLE INTERLOCK
T (BOX OUT)	ASTRAGAL OUT		FIXED LOCKSTILE
T (BOX IN)	ASTRAGAL IN		FIXED LOCKSTILE
S (BOX OUT)	FIXED LOCKSTILE		ASTRAGAL OUT
S (BOX IN)	FIXED LOCKSTILE		ASTRAGAL IN

NOTE:
REINFORCEMENT (ITEM #66) REQUIRED AT ALL INTERLOCKS.

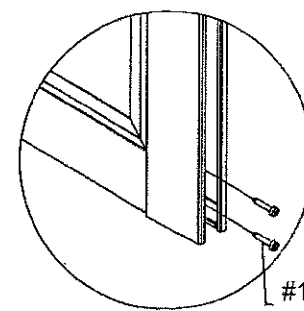


D.L.O. WIDTH = NOM. PANEL WIDTH - 7"
D.L.O. HEIGHT = DOOR UNIT HEIGHT - 10.125"
PANEL HEIGHT = DOOR UNIT HEIGHT - 1.866"

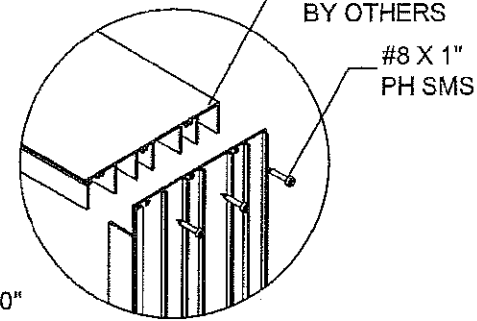


NOTE:
1. MAXIMUM NOMINAL PANEL WIDTH FOR ALL PANEL CONFIGURATIONS EQUALS 48"

PRODUCT REVISED
as complying with the Florida Building Code
NOA-No. **17-0420.13**
Expiration Date **03/24/2020**
By Miami-Dade Product Control



PANEL CORNER DETAIL



FRAME CORNER DETAIL

NOTES:

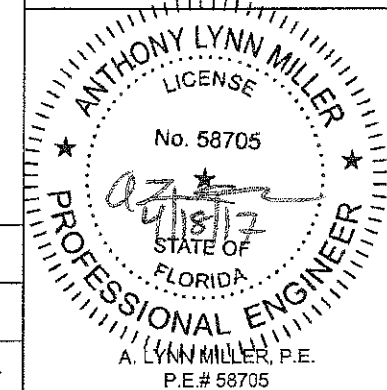
- SEE THIS SHEET FOR INDIVIDUAL PANEL CONFIGURATIONS. MAX. NOMINAL PANEL WIDTH = 48". SEE SHT. 8 FOR SECTION DETAILS AND SHTS. 4-6 FOR ANCHORAGE DETAILS.
- MAX. DLO WIDTH = 41"; MAX. DLO HEIGHT = 97 7/8", MAX PANEL HEIGHT = 106 1/8".
- (1) LOCK (ITEMS 75 & 107-110) AT EACH LOCKSTILE, LOCKING INTO KEEPER (ITEM 103) AT FRAME JAMB OR ASTRAGAL.

Revsd By: JR	Date: 04/03/17	Revisions: G	NO CHANGES THIS SHEET.
Drawn By: SMC	Date: 08/05/09	Checked By: RJA	Date:

1070 TECHNOLOGY DRIVE
N. VENICE, FL 34275
(941) 480-1600
CERT. OF AUTH. #29296
COPYRIGHT © 2017
PGT INDUSTRIES, INC.
ALL RIGHTS RESERVED

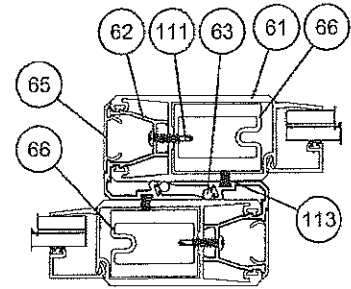


Description: **PANEL TYPES / EXAMPLE ELEVATIONS**
Title: **SERIES 770 H.P. ALUMINUM SGD - LMI**
Series/Model: SGD770 H.P. Scale: NTS Sheet: 7 of 10 Drawing No. PGT0004 Rev: G

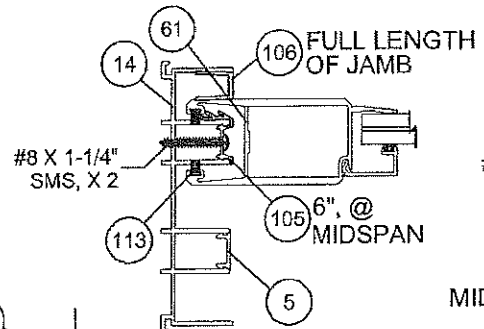


PART ILLUSTRATIONS

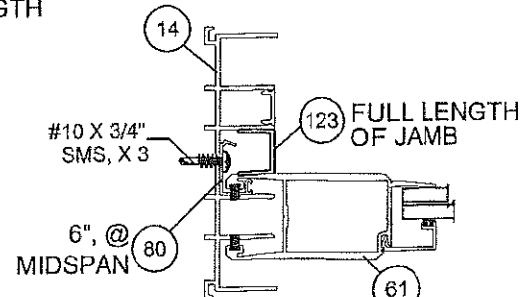
(SEE SHEET 6 FOR FOR INSTALLATION DETAILS)



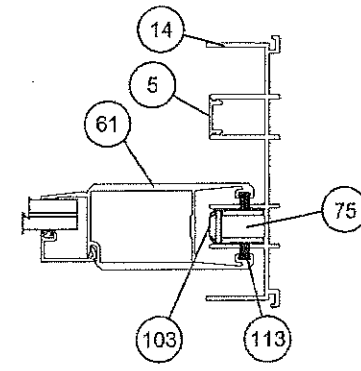
ALL REINFORCED INTERLOCK
DETAIL 'J'



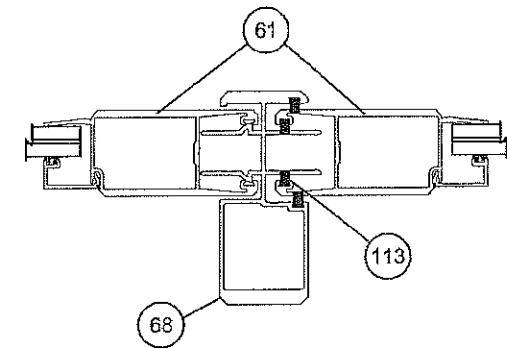
STANDARD CLIP
W/ RETAINER #106



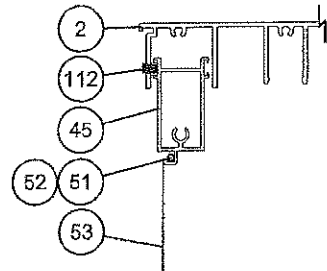
OPTIONAL CLIP
W/ RETAINER #123



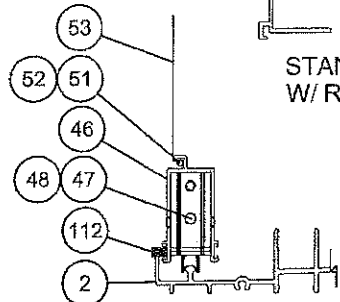
DETAIL 'L'



ASTRAGAL
DETAIL 'M'

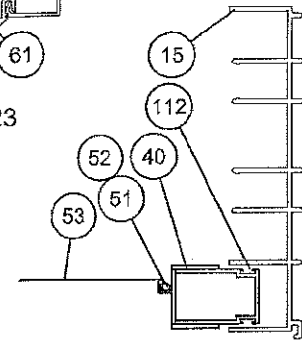


DETAIL 'N' SCREEN
AT HEAD
(2-TRACK SHOWN)



DETAIL 'O' SCREEN
AT SILL
(2-TRACK SHOWN)

DETAIL 'K' (FIXED PANEL)



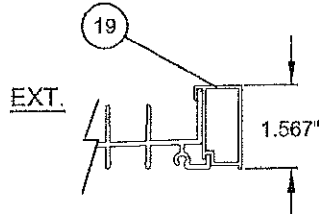
DETAIL 'P' SCREEN
AT JAMB
(2-TRACK SHOWN)

← EXTERIOR INTERIOR →
(ALL VERT. SECTIONS)

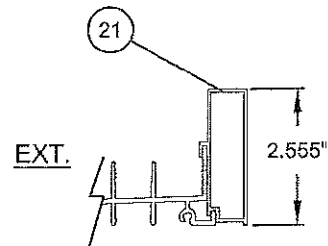
↑ INTERIOR
(ALL HORIZ. SECTIONS)
↓ EXTERIOR

SILL RISERS OPTIONS

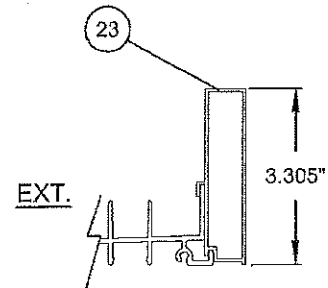
(SEE D.P. LIMIT TABLE 1A, SHEET 4
SEE SHEET 6 FOR FOR
INSTALLATION DETAILS)



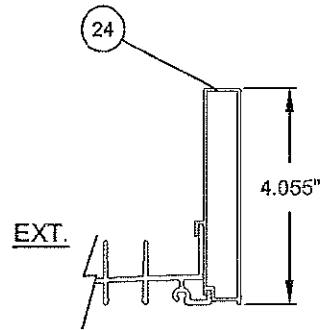
FLUSH BOX SILL RISER
(NOT VALID FOR WATER
INFILTRATION RESISTANCE)



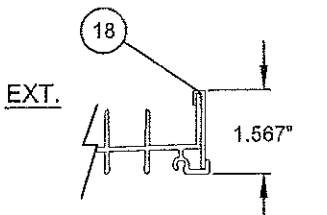
LOW BOX SILL RISER
(2-1/2")



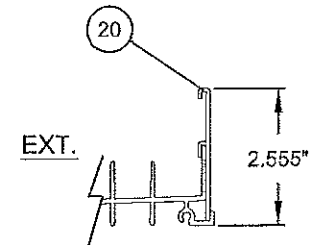
MEDIUM BOX SILL RISER
(3-1/4")



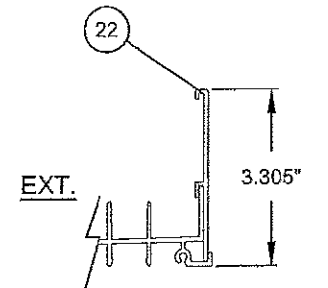
HIGH BOX SILL RISER
(4")



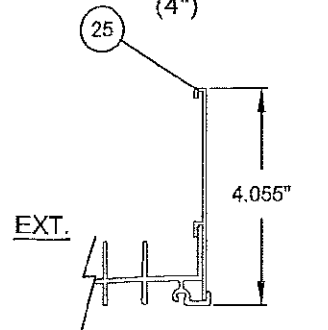
FLUSH FLAT SILL RISER
(NOT VALID FOR WATER
INFILTRATION RESISTANCE)



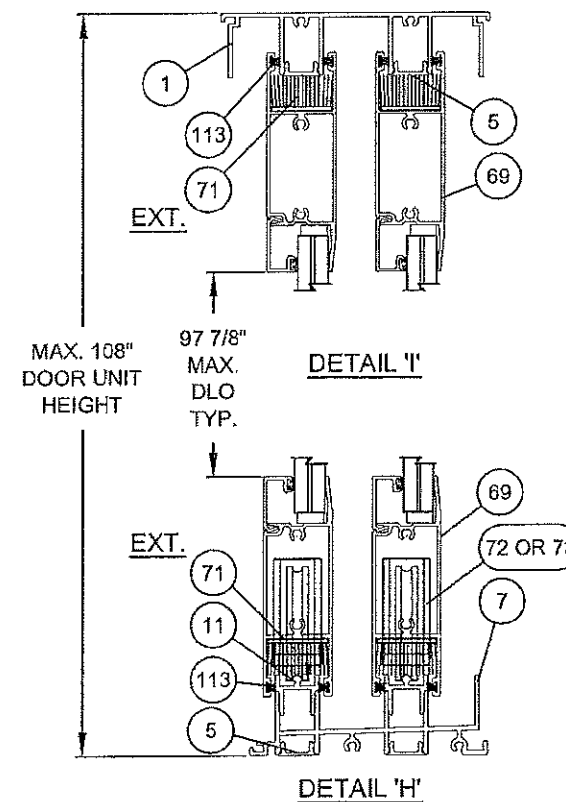
LOW FLAT SILL RISER
(2-1/2")



MEDIUM FLAT SILL RISER
(3-1/4")



HIGH FLAT SILL RISER
(4")



PRODUCT REVISED
as complying with the Florida
Building Code
NOA-No. **17-0420.13**
Expiration Date **03/24/2020**
By *[Signature]*
Miami-Dade Product Control

ANTHONY LYNN MILLER
LICENSE
No. 58705
STATE OF
FLORIDA
PROFESSIONAL ENGINEER
A. LYNN MILLER, P.E.
P.E.# 58705

Revised By:	Date:	Revisions:	
JR	04/03/17	G	NO CHANGES THIS SHEET.
Drawn By:	Date:	Checked By:	Date:
SMC	08/05/09		

1070 TECHNOLOGY DRIVE
N. VENICE, FL 34275
(941) 480-1600
CERT. OF AUTH. #29296
COPYRIGHT © 2017
PGT INDUSTRIES, INC.
ALL RIGHTS RESERVED




Description: VERTICAL & HORIZONTAL SECTION DETAILS			
Title: SERIES 770 H.P. ALUMINUM SGD - LMI			
Series/Model:	Scale:	Sheet:	Drawing No.
SGD770 H.P.	NTS	8 of 10	PGT0004
Rev:			
G			

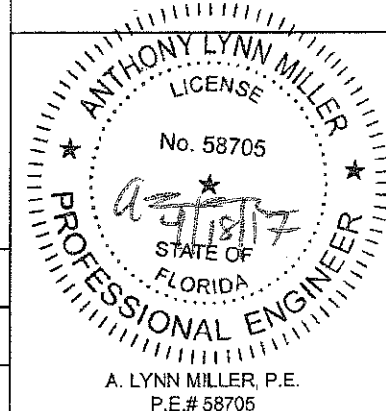
Item	PGT Dwg. #	PGT #	Description
1	17306	617306	2-TRACK HEAD
2	17303	617303	2-TRACK HEAD WITH SCREEN RAIL
5	17314	617314	FRAME SCREW COVER
6	17317	617317	FRAME HEAD/JAMB ADD-ON
7	17304	617304	2-TRACK SILL
8	17301	617301	2-TRACK SILL WITH SCREEN RAIL
11	17313	617313	FRAME SILL TRACK INSERT
14	17305	617305	2-TRACK JAMB
15	17302	617302	2-TRACK JAMB WITH SCREEN RAIL
18	17322	617322	SILL RISER
19	17319	617319	SILL RISER - HOLLOW
20	17321	617321	SILL RISER - LOW FLAT
21	17318	617318	SILL RISER - LOW HOLLOW
22	17355	617355	SILL RISER - MED FLAT
23	17354	617354	SILL RISER - MED HOLLOW
24	17320	617320	SILL RISER - HIGH HOLLOW
25	17323	617323	SILL RISER - HIGH FLAT
ITEMS 40-53 ARE SCREEN PARTS:			
40	4319	612258	SCREEN SIDE RAIL - LOCKSTILE
41		7LOCKWGSK	SCREEN LOCKSET
42		41818	SCREEN KEEPER SPACER SET
43	8152	68152	SCREEN INTERLOCK ADAPTER
44	4428	64428	SCREEN DOUBLE INTERLOCK
45	4317	612256	SCREEN TOP RAIL
46	4318	612257	SCREEN BOTTOM RAIL
47	668	7SRAZ	STANDARD ROLLER
48	668	7SRAX	STANDARD ROLLER - ST. STL.
49	4344	64344	SCREEN ASTRAGAL
50	17349	617349	OXO SCREEN ASTRAGAL ADAPTER
51	1692	61692	SCREEN SPLINE - .165"
52	1694	61694	SCREEN SPLINE - .150"
53		61816C20	SCREEN CLOTH
54	1725		1/2" X 4" X 1/16" SETTING BLOCK
55	1726		1" X 4" X 1/16" SETTING BLOCK
61	17326	617326	PANEL STILE (HEAVY DUTY)
62	17327	617327	INTERLOCK ADAPTOR
63	1225	6TP248	VINYL BULB WSTP. - THIN (INSIDE INTERLOCK)
64	1729	71729	SILL END WEATHERSTRIP PAD
65	17328	617328	INTERLOCK SCREW COVER
66	17346	617346	INTERLOCK ALUM REINF. (PANEL - 9")

Item	PGT Dwg. #	PGT #	Description
68	17339	617339	HEAVY DUTY ASTRAGAL
69	17324	617324	TOP & BOTTOM RAIL
70	17350	417350	WEATHERSTRIP EXTENSION (INJECTION MOLDED)
71	1695	71695	1-1/2" X 1" X 3/4" HIGH FIN SEAL DUST PLUGS
72	8153	78153X	TANDEM ST. STL. ROLLER ASSY.
73	8153	78153N	TANDEM NYLON ROLLER ASSY.
74		SILICONE	DOW-899, DOW-995 OR GE-7700
75	8185	78185X	GEMINI MORTICE 3-PLY DUAL LOCK W/LONG TRIM PLATE
76		71032X1FFPX	#10-32 X 1" FL. S.S. SCREW W/ TYPE "F" TIP
77		7103239	10-32 STEEL ZINC U-NUT
79	17330	617357	1" IG BEAD
80	17359	617359	7/16" BEAD / FIXED PANEL CLIP
81	17360	617360	9/16" BEAD
82	1224	6TP247K	VINYL BULB WEATHERSTRIP
83	61745	1745	LOWE INC, 1/2" X 1/16" SGL. SIDE ADH. TAPE, POLYETH.
100	8052	48052	ROLLER ADJ. HOLE PLUG
101		72087	JAMB BUMPER
102	1696	71696	DUST PLUG
103	8186	78186X	1" KEEPER
104	653	7SDKEEP	SCREEN LOCK KEEPER
105	17344	617344	FIXED PANEL CLIP - 6" LONG
106	17345	617345	EXTERIOR FIXED PANEL RETAINER - 9/16"
107	1739	71739	HANDLE KIT - INTERIOR RAISED WITH THUMB TURN
108	1740	71740	HANDLE KIT - RAISED EXTERIOR HANDLE
109	1731	78162SN	HANDLE KIT - RECESSED INTERIOR WITH THUMB TURN
110	1732	78178	HANDLE KIT - RECESSED EXTERIOR PULL
111		710X34PPSDAX	#10 X 3/4" PH. PN. TEK - S.S.
112	1235	67S16	WSTP, .270" X .170" - FIN SEAL
113	1712	64066	.187" X .230" FINSEAL
114		710X115PPX	#10 X 1-1/2"
115		710XPPT	#10 X 1"
116		720X1X	#14-20 X 1" S.S.
117		720X112X	#14-20 X 1-1/2 S.S.
123	17352	617352	FIXED PANEL RETAINER, 7/8"

NOTES:

- 1) ALL ALUMINUM = 6063-T6
- 2) ITEMS # 3, 4, 9-10, 12, 13, 16, 17, 26-39, 60, 67, 78, 84-99 & 118-122 ARE NOT USED AND ARE NOT PART OF THIS APPROVAL.

PRODUCT REVISED
as complying with the Florida
Building Code
NOA-No. **17-0420.13**
Expiration Date **03/24/2020**
By 
Miami-Dade Product Control

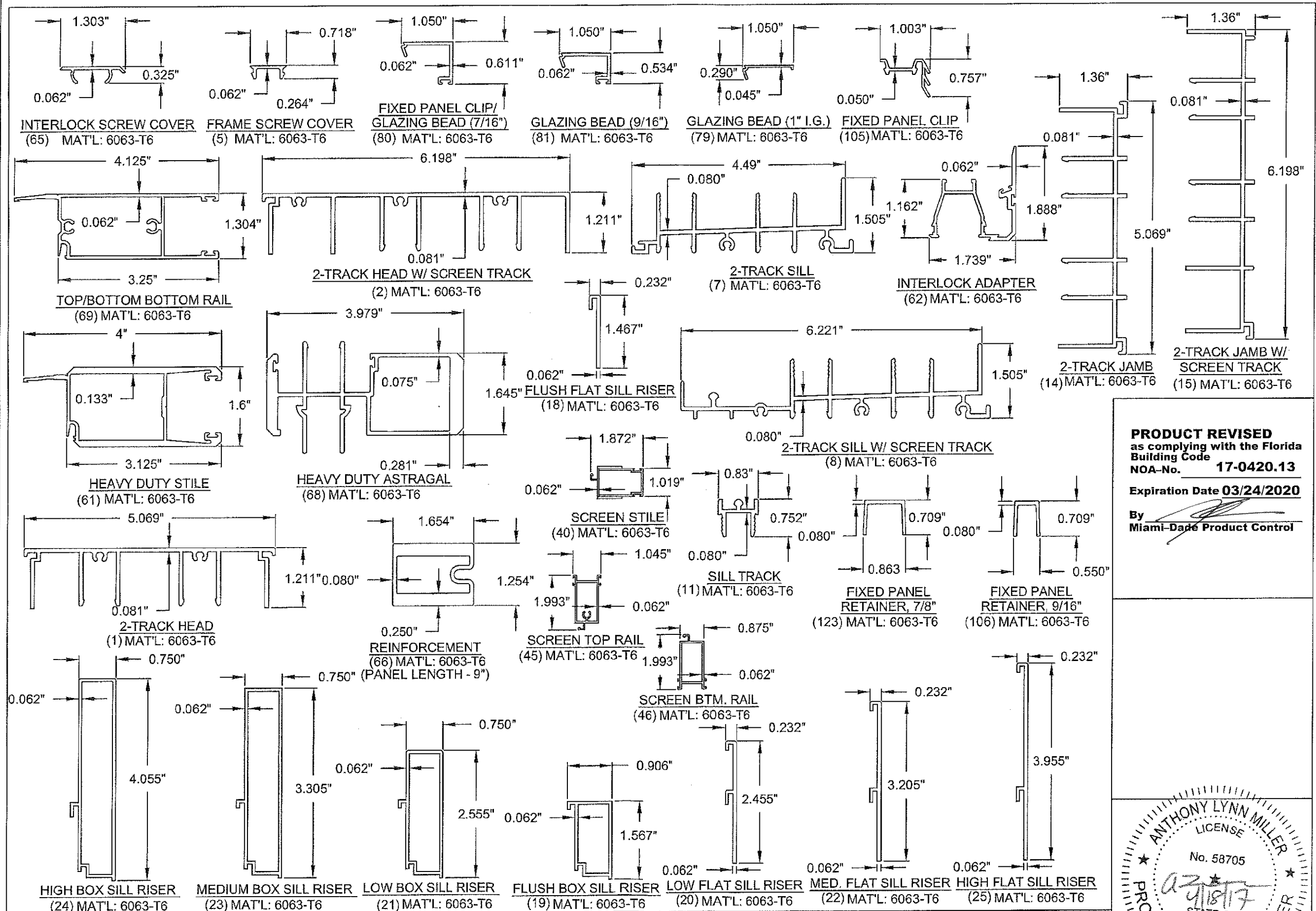


Revised By:	Date:	Revisions:	
JR	04/03/17	G	NO CHANGES THIS SHEET.
Drawn By:	Date:	Checked By:	Date:
SMC	08/05/09	RJA	

1070 TECHNOLOGY DRIVE
N. VENICE, FL 34275
(941) 480-1600
CERT. OF AUTH. #29298
COPYRIGHT © 2017
PGT INDUSTRIES, INC.
ALL RIGHTS RESERVED



Description: PARTS LIST			
Title: SERIES 770 H.P. ALUMINUM SGD - LMI			
Series/Model:	Scale:	Sheet:	Drawing No.
SGD770 H.P.	NTS	9 of 10	PGT0004
			Rev: G



PRODUCT REVISED
 as complying with the Florida
 Building Code
 NOA-No. **17-0420.13**
 Expiration Date **03/24/2020**
 By *[Signature]*
 Miami-Dade Product Control

ANTHONY LYNN MILLER
 LICENSE
 No. 58705
 STATE OF
 FLORIDA
 PROFESSIONAL ENGINEER
 A. LYNN MILLER, P.E.
 P.E.# 58705

1070 TECHNOLOGY DRIVE N. VENICE, FL 34275 (941) 480-1600 CERT. OF AUTH. #29296 COPYRIGHT © 2017 PGT INDUSTRIES, INC. ALL RIGHTS RESERVED		Description: EXTRUSIONS Title: SERIES 770 H.P. ALUMINUM SGD - LMI Series/Model: SGD770 H.P.	Scale: NTS	Sheet: 10 of 10	Drawing No. PGT0004	Rev: G
--	--	--	----------------------	---------------------------	-------------------------------	------------------

Revisd By: JR	Date: 04/03/17	Revisions: G	NO CHANGES THIS SHEET.
Drawn By: SMC	Date: 06/05/09	Checked By: RJA	Date: