



DEPARTMENT OF REGULATORY AND ECONOMIC RESOURCES (RER)
BOARD AND CODE ADMINISTRATION DIVISION

MIAMI-DADE COUNTY, FLORIDA
PRODUCT CONTROL SECTION
11805 SW 26 Street, Room 208
T (786) 315-2590 F (786) 315-2599
www.miamidade.gov/economy

NOTICE OF ACCEPTANCE (NOA)

PGT Industries, Inc.
1070 Technology Drive,
North Venice, Fl. 34275

SCOPE:

This NOA is being issued under the applicable rules and regulations governing the use of construction materials. The documentation submitted has been reviewed and accepted by Miami-Dade County RER - Product Control Section to be used in Miami Dade County and other areas where allowed by the Authority Having Jurisdiction (AHJ).

This NOA shall not be valid after the expiration date stated below. The Miami-Dade County Product Control Section (In Miami Dade County) and/or the AHJ (in areas other than Miami Dade County) reserve the right to have this product or material tested for quality assurance purposes. If this product or material fails to perform in the accepted manner, the manufacturer will incur the expense of such testing and the AHJ may immediately revoke, modify, or suspend the use of such product or material within their jurisdiction. RER reserves the right to revoke this acceptance, if it is determined by Miami-Dade County Product Control Section that this product or material fails to meet the requirements of the applicable building code.

This product is approved as described herein, and has been designed to comply with the Florida Building Code, including the High Velocity Hurricane Zone.

DESCRIPTION: Series "670HP" Aluminum Sliding Glass Doors w / Reinforcements

APPROVAL DOCUMENT: Drawing No. PGT0003 Rev F, titled "Series 670 H.P. Aluminum SGD-NI", sheets 1 through 10 of 10, prepared by manufacturer, dated 08/05/07 and last revised on 08/10/17, signed and sealed by Lynn Miller, P.E., bearing the Miami-Dade County Product Control Revision stamp with the Notice of Acceptance number and expiration date by the Miami-Dade County Product Control Section.

MISSILE IMPACT RATING: None: Approved Hurricane Protection devices, complying w/ FBC, as applicable are required.

Limitations:

1. See **table 1**, sheet **4** of this approved drawing set for applicable SGD unit sizes, design pressures, reinforcements, glass types, sill riser for positive DP limit and anchors requirements.
2. Applicable, egress operable doors must comply with min clear width & height requirements per FBC.

RENEWAL of this NOA shall be considered after a renewal application has been filed and there has been no change in the applicable building code negatively affecting the performance of this product.

TERMINATION of this NOA will occur after the expiration date or if there has been a revision or change in the materials, use, and/or manufacture of the product or process. Misuse of this NOA as an endorsement of any product, for sales, advertising or any other purposes shall automatically terminate this NOA. Failure to comply with any section of this NOA shall be cause for termination and removal of NOA.

ADVERTISEMENT: The NOA number preceded by the words Miami-Dade County, Florida, and followed by the expiration date may be displayed in advertising literature. If any portion of the NOA is displayed, then it shall be done in its entirety.

INSPECTION: A copy of this entire NOA shall be provided to the user by the manufacturer or its distributors and shall be available for inspection at the job site at the request of the Building Official.

This NOA **revises NOA # 16-0629.04** and consists of this page 1 and evidence pages E-1 & E-2, as well as approval document mentioned above.

The submitted documentation was reviewed by **Ishaq I. Chanda , P. E.**



9/21/17

NOA No. 17-0420.10
Expiration Date: March 24, 2020
Approval Date: September 28, 2017
Page 1

NOTICE OF ACCEPTANCE: EVIDENCE SUBMITTED

1. Evidence submitted under previous approvals

A. DRAWINGS

1. Manufacturer's die drawings and sections (See test report below).
2. Drawing No. **PGT0003 Rev E**, titled "Series 670 H.P. Aluminum SGD-NI", sheets 1 through 10 of 10, prepared by manufacturer, dated 08/05/07 and last revised on 06/08/16, signed and sealed by Lynn Miller, P.E.

B. TESTS

1. REF Test report on 1) Uniform Static Air Pressure Test, per FBC, TAS 202-94
2) Large Missile Impact Test per FBC, TAS 201-94
3) Cyclic Wind Pressure Loading per FBC, TAS 203-94

Along with marked-up drawings and installation diagram of Aluminum Sliding Glass Doors (w/ TPS, Super, Cardinal & Duraseal Spacers), prepared by Fenestration Testing Laboratory, Inc., Test Reports No(s) **FTL-8717, FTL-8970 and FTL-8968**, dated 02/15/16, 06/07/16 and 06/20/16, all signed & sealed by Idalmis Ortega, P.E.

2. Test report on 1) Air Infiltration Test, per FBC, TAS 202-94
2) Uniform Static Air Pressure Test, per FBC, TAS 202-94
3) Water Resistance Test, per FBC, TAS 202-94.
4) Forced Entry Test, per FBC 2411.3.2.1 (b) and TAS 202-94

Along with marked-up drawings and installation diagram of Aluminum Sliding Glass Doors, prepared by Fenestration Testing Laboratory, Inc., Test Report No **FTL-5987 and FTL-5995**, dated 08/10/09, both signed & sealed by Julio Gonzales, P.E. (submitted under **#11-1018.18/# 09-0826.14**).

3. REF test report **FTL 7825** for Alum XOX SGD per TAS 201, 202 & 203-94 (submitted under **#15-0106.07**).

C. CALCULATIONS (submitted under #15-0106.07)

1. Anchor verification calculations and structural analysis, complying with FBC 5th Addition (2014), prepared by manufacturer, dated 03/05/15, signed and sealed by Lynn Miller, P.E
2. Glazing complies with ASTM E-1300-02, -04 & -09.

D. QUALITY ASSURANCE

1. Miami Dade Department of Regulatory and Economic Resources (RER).

E. MATERIAL CERTIFICATIONS

1. None

F. STATEMENTS (submitted under #15-0106.07)

1. Statement letter of conformance to and complying with FBC 5th Edition (2014), issued by manufacturer, dated 12/31/14, signed and sealed by Lynn Miller, P. E.
2. Letter of lab compliance, part of the above test reports.

G. OTHER

1. This NOA **revises # 15-0106.07**, expiring March 24, 2020.
2. Test proposal # 16-0152 dated 03/09/16 approved by RER.
3. AAMA's Technical Paper for SGD & Bi-fold doors referenced to FBC 2014 (5th edition).
4. Test proposal dated 6/4/13 & 08/12/13 approved by Jaime Gascon, P.E.
5. Test proposals No(s) **09-0177, 0177-A, B & C** approved by BCCO. *Ishaq I. Chanda*

Ishaq I. Chanda, P. E.
Product Control Examiner
NOA No. 17-0420.10

Expiration Date: March 24, 2020
Approval Date: September 28, 2017

NOTICE OF ACCEPTANCE: EVIDENCE SUBMITTED

2. New Evidence submitted

A. DRAWINGS

1. Drawing No. **PGT0003 Rev F**, titled "Series 670 H.P. Aluminum SGD-NI", sheets 1 through 10 of 10, prepared by manufacturer, dated 08/05/07 and last revised on 08/10/17, signed and sealed by Lynn Miller, P.E.

B. TESTS

1. REF Test report on 1) Uniform Static Air Pressure Test, per FBC, TAS 202-94
2) Large Missile Impact Test per FBC, TAS 201-94
3) Cyclic Wind Pressure Loading per FBC, TAS 203-94

Along with marked-up drawings and installation diagram of Aluminum Sliding Glass Doors (w/ Fixed glass clips), prepared by Fenestration Testing Laboratory, Inc., Test Reports No(s) **FTL-7468**, dated 08/23/13, signed & sealed by Jorge A. Naya, Jr, P.E.

C. CALCULATIONS

1. Anchor verification calculations and structural analysis, complying with FBC 2014(5th Edition) and FBC 2017(6th Edition), prepared by manufacturer, dated 04/08/7 and last revised on 08/10/17, signed and sealed by Lynn Miller, P. E.
2. Glazing complies with ASTM E-1300-02, -04 & -09.

D. QUALITY ASSURANCE

1. Miami Dade Department of Regulatory and Economic Resources (RER).

E. MATERIAL CERTIFICATIONS

1. None.

F. STATEMENTS

1. Statement letter of conformance to FBC 2014 (5th Edition) & FBC 2017 (6th Edition), issued by manufacturer, dated 08/10/17, signed and sealed by Lynn Miller, P. E.

G. OTHER

1. This NOA revises # **16-0629.04**, expiring March 24, 2020.



Ishaq I. Chanda, P. E.
Product Control Examiner
NOA No. 17-0420.10

Expiration Date: March 24, 2020
Approval Date: September 28, 2017

GENERAL NOTES: SERIES 670 H.P. NON-IMPACT SLIDING GLASS DOOR

DESIGN PRESSURE RATING	IMPACT RATING
SEE TABLES 1 & 1A ON SHEET 4	NOT RATED FOR MISSILE IMPACT RESISTANCE

CODES / STANDARDS USED:

- 2017 FLORIDA BUILDING CODE (FBC), 6TH EDITION
- 2014 FLORIDA BUILDING CODE (FBC), 5TH EDITION
- ASTM E1300-09
- ANSI/AF&PA NDS-2015 FOR WOOD CONSTRUCTION
- ALUMINUM DESIGN MANUAL, ADM-2015
- AISI S100-12
- AISC 360-10

1. GLAZING TYPE OPTIONS: (GLASS RECIPES ARE FROM EXTERIOR TO INTERIOR)

- G1 - (1) LITE OF 3/16" TEMPERED GLASS.
- G1A - (1) LITE OF 1/4" TEMPERED GLASS.
- G2 - 1" I.G.: (1) LITE OF 3/16" TEMPERED GLASS + 5/8" AIR SPACE + (1) LITE OF 3/16" TEMPERED GLASS.
- G2A - 1" I.G.: (1) LITE OF 1/4" TEMPERED GLASS + 1/2" AIR SPACE + (1) LITE OF 1/4" TEMPERED GLASS.

**2. DESIGN PRESSURES: A. NEGATIVE DESIGN LOADS BASED ON TESTED PRESSURE AND GLASS TABLES ASTM E 1300.
B. POSITIVE DESIGN LOADS BASED ON WATER TEST PRESSURE AND GLASS TABLES ASTM E 1300.
C. DESIGN LOADS ARE BASED ON ALLOWABLE STRESS DESIGN, ASD.**

3. ANCHORAGE: THE 33 1/3% STRESS INCREASE HAS NOT BEEN USED IN THE DESIGN OF THIS PRODUCT. MATERIALS, INCLUDING BUT NOT LIMITED TO STEEL SCREWS, THAT COME INTO CONTACT WITH OTHER DISSIMILAR MATERIALS SHALL MEET THE REQUIREMENTS OF THE FLORIDA BUILDING CODE. FOR ANCHORAGE DETAILS SEE SHEETS 6 & 7.

4. SHUTTERS ARE REQUIRED PER FBC REQUIREMENTS, AS APPLICABLE.

5. INSTALLATION SCREWS, FRAME AND PANEL CORNERS TO BE SEALED WITH NARROW JOINT SEALANT.

6. REFERENCES: TEST REPORTS FTL-5987 AND FTL-5995, DATED 08/07/09 AND FTL-7825; ELCO ULTRACON, CRETEFLEX AND AGGREGATOR NOA'S, ANSI/AF&PA NDS FOR WOOD CONSTRUCTION AND ADM, ALUMINUM DESIGN MANUAL

7. THIS PRODUCT HAS BEEN DESIGNED & TESTED TO COMPLY WITH THE REQUIREMENTS OF THE FLORIDA BUILDING CODE, INCLUDING THE HIGH VELOCITY HURRICANE ZONE (HVHZ).

8. DOOR SIZES MUST BE VERIFIED FOR COMPLIANCE WITH EGRESS REQUIREMENTS PER FLORIDA BUILDING CODE, AS APPLICABLE.

9. CONFIGURATIONS: STRAIGHT DOORS - MAXIMUM 2 TRACKS BY 9 FT. (108") HIGH WITH A MAXIMUM OF FOUR 4 FT. NOMINAL WIDE DOOR PANELS. SEE EXAMPLE ELEVATION AND PANEL CONFIGURATIONS ON SHEET 7.

- D.L.O. WIDTH = NOMINAL PANEL WIDTH - 7"
- D.L.O. HEIGHT = NOMINAL PANEL HEIGHT - 8.25"

SHEET

GENERAL NOTES.....	1
ELEVATIONS.....	2
GLAZING DETAILS.....	3
ANCHORAGE.....	4-6
DESIGN PRESSURES.....	4
ELEVATIONS.....	7
CONFIGURATIONS.....	7
VERT. SECTIONS.....	8
HORIZ. SECTIONS.....	8
PARTS LIST.....	9
EXTRUSIONS.....	10

NOTES PERTAINING TO ANCHORAGE DETAILS ON SHEET 5-6:

1) FOR CONCRETE/CMU SUBSTRATE APPLICATIONS IN MIAMI-DADE COUNTY, USE ONLY MIAMI-DADE COUNTY APPROVED ANCHORS. SEE TABLE A ON THIS SHEET FOR EMBEDMENT, EDGE DISTANCE AND SUBSTRATE REQUIREMENTS.

2) FOR OTHER SUBSTRATE APPLICATIONS SEE TABLE ON THIS SHEET.

3) WOOD BUCKS DEPICTED AS 1X ARE LESS THAN 1-1/2" THICK. 1X WOOD BUCKS ARE OPTIONAL IF UNIT IS INSTALLED DIRECTLY TO SOLID CONCRETE. WOOD BUCKS DEPICTED AS 2X ARE 1-1/2" THICK OR GREATER. 1X AND 2X BUCKS (WHEN USED) SHALL BE DESIGNED TO PROPERLY TRANSFER LOADS TO THE STRUCTURE. BUCK DESIGN AND INSTALLATION IS THE RESPONSIBILITY OF THE ENGINEER OR ARCHITECT OF RECORD.

4) METAL SUBSTRATE TO MEET MIN. STRENGTH AND THICKNESS REQUIREMENTS PER CURRENT FLORIDA BUILDING CODE AND TO BE REVIEWED BY THE AUTHORITY HAVING JURISDICTION.

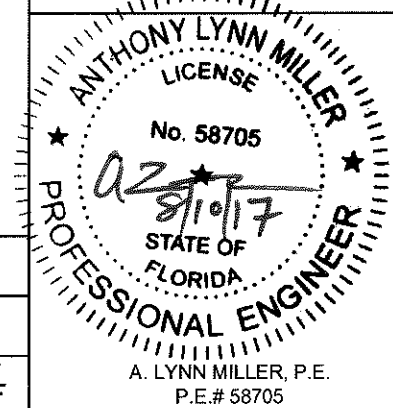
5) IF SILL IS TIGHT TO SUBSTRATE, GROUT OR OTHER MATERIAL IS NOT REQUIRED. IF USED, NON-SHRINK, NON-METALLIC GROUT, MAX. 1/4" THICK & 3400 PSI MIN., (DONE BY OTHERS) MUST FULLY SUPPORT THE ENTIRE LENGTH OF THE SILL THAT IS NOT TIGHT TO THE SUBSTRATE, AND TRANSFER SHEAR LOAD TO SUBSTRATE. IF SUBSTRATE IS WOOD, 30# FELT PAPER OR MASTIC IS REQUIRED BETWEEN THE GROUT AND WOOD SUBSTRATE, OR AS APPROVED BY THE AUTHORITY HAVING JURISDICTION.

TABLE A:

Anchor Group	Anchor Type	Frame Member	Substrate	Min. Edge Distance	Min. O.C. Distance	Min. Embedment or Metal Thickness
A	#12 18-8 SMS, F _y =60 ksi, F _u =95 ksi #12 410 SS SMS, F _y =90 ksi, F _u =110 ksi	All	Southern Pine (SG = 0.55)	9/16"	7/8"	1-3/8"
			6063-T5 Aluminum	3/8"	9/16"	0.071"
			A36 Steel	3/8"	9/16"	0.050"
			Gr. 33 Steel Stud	3/8"	9/16"	0.045" (18 Ga)
	1/4" Elco Aggre-Gator® F _y =57 ksi, F _u =96 ksi	All	Concrete (min. 2.22 ksi)	1-1/2"	3"	1-3/8"
	Jamb	Filled Block (ASTM C90)	2"	3"	2"	
	Jamb	Hollow Block (ASTM C90)	2"	3"	1-1/4"	
	All	Southern Pine (SG = 0.55)	1"	1"	1-3/8"	
B	#12 Steel SMS (Gr. 5)	All	Southern Pine (SG = 0.55)	9/16"	7/8"	1-3/8"
			6063-T5 Aluminum	3/8"	9/16"	0.071"
			A36 Steel	3/8"	9/16"	0.050"
			Gr. 33 Steel Stud	3/8"	9/16"	0.045" (18 Ga)
C	1/4" Elco UltraCon® F _y =155 ksi, F _u =177 ksi	All	Concrete (min. 2.85 ksi)	1"	4"	1-3/8"
		Jamb	Hollow Block (ASTM C90)	1"	6"	1-1/4"
D	1/4" Elco UltraCon® F _y =155 ksi, F _u =177 ksi	All	Concrete (min. 2.85 ksi)	2-1/2"	4"	1-3/8"
		Jamb	Filled Block (ASTM C90)	2-1/2"	4"	1-3/4"
		Jamb	Hollow Block (ASTM C90)	2-1/2"	6"	1-1/4"
	1/4" 410 SS Elco CreteFlex® F _y =127.4 ksi, F _u =189.7 ksi	Head / Sill	Concrete (min. 3.35 ksi)	1"	4"	1-3/4"
		Jamb	Concrete (min. 3.35 ksi)	1"	6"	1-3/4"
	Jamb	Hollow Block (ASTM C90)	2-1/2"	6"	1-1/4"	
	All	Southern Pine (SG = 0.55)	1"	1"	1-3/8"	

- 1) WHERE SUBSTRATE CONDITIONS REQUIRE ANCHORAGE FROM MORE THAN ONE OF THE ANCHOR GROUPS ABOVE, CHOOSE THE ANCHOR GROUP OF THE LOWEST LETTER FOR ALL TABLES IN THIS APPROVAL.
- 2) ALL ANCHOR HEAD TYPES ARE APPLICABLE.
- 3) FOR STEEL STUDS, MIN. F_U = 45 KSI, MIN F_Y = 33 KSI.
- 4) FILLED BLOCK VALUES MAY ALSO BE USED IN HOLLOW BLOCK APPLICATIONS.
- 5) ANCHORS MUST BE OF SUFFICIENT LENGTH SO THAT A MINIMUM OF 3 THREADS EXTEND BEYOND METAL SUBSTRATE.

PRODUCT REVISED
as complying with the Florida
Building Code
Acceptance No. 17-0420-10
Expiration Date MAR 24, 2020
Shag J. Chand
Product Control

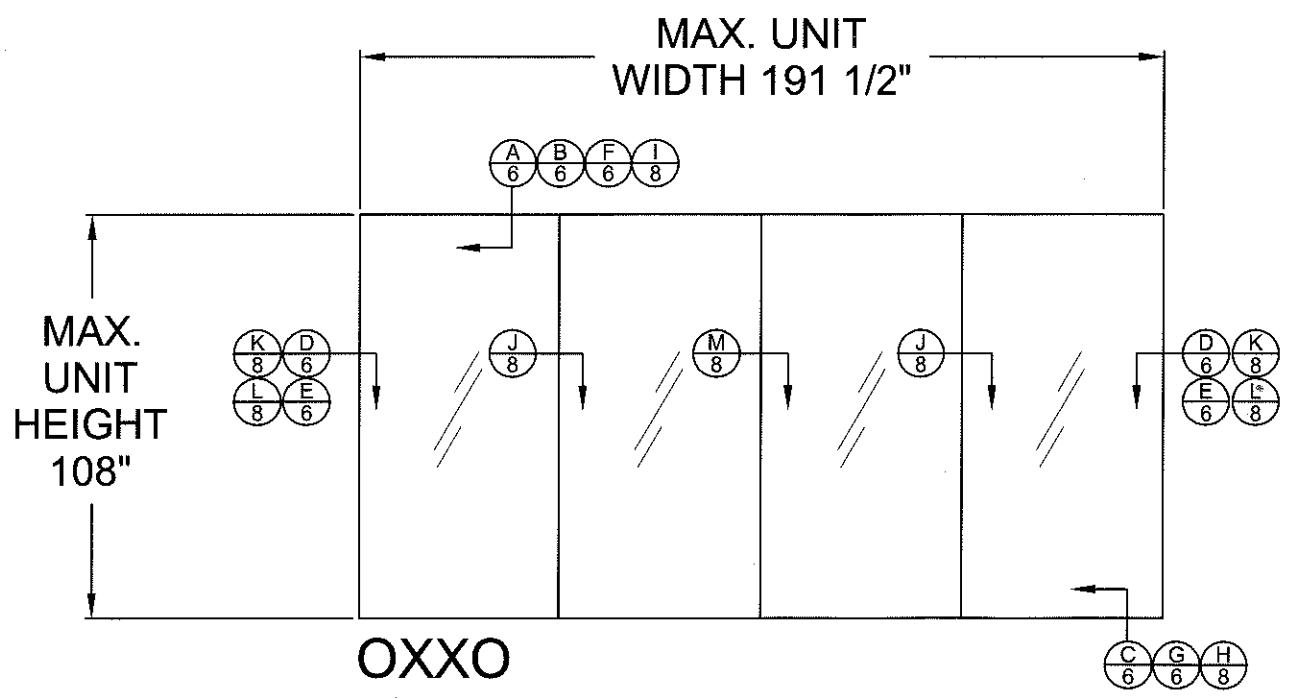
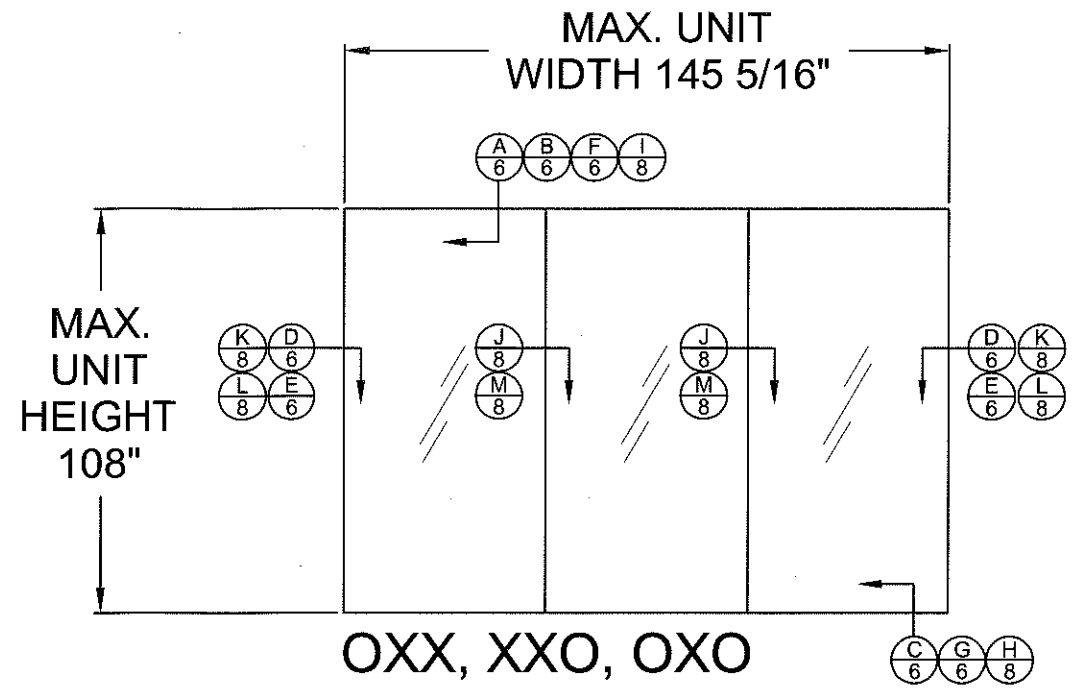
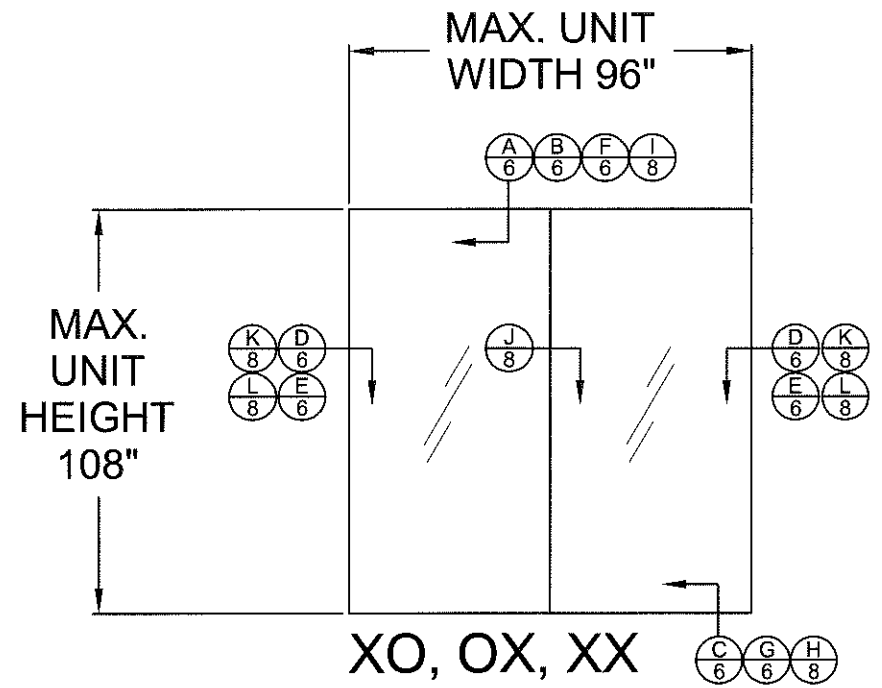


1070 TECHNOLOGY DRIVE
N. VENICE, FL 34275
(941) 480-1600
CERT. OF AUTH. #29296
COPYRIGHT © 2017
PGT INDUSTRIES, INC.
ALL RIGHTS RESERVED



Description:
GENERAL NOTES AND MAP
Title:
SERIES 670 H.P. ALUM. SGD - NON-IMPACT
Series/Model: SGD670 H.P. Scale: NTS Sheet: 1 of 10 Drawing No. PGT0003 Rev: F

Revised By: JR	Date: 04/05/17	Revisions: F	UPDATED TO FBC 2017, REV. TABLES 1 & A, EXAMPLE, JAMB OC.
Drawn By: SMC	Date: 08/05/07	Checked By: RJA	



APPROVED CONFIGURATIONS

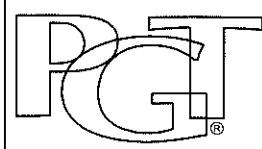
PRODUCT REVISED
 as complying with the Florida
 Building Code
 Acceptance No 17-0420-10
 Expiration Date 3/24/20
Anthony L. Miller
 Product Control

ANTHONY LYNN MILLER
 LICENSE
 No. 58705
 08/10/17
 STATE OF
 FLORIDA
 PROFESSIONAL ENGINEER

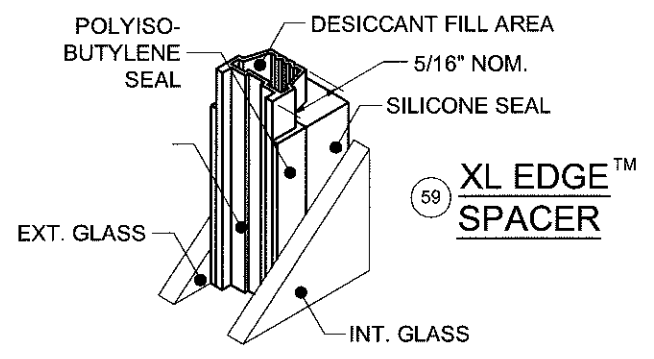
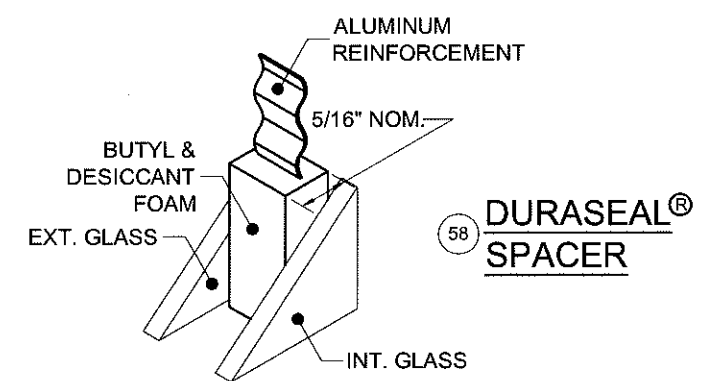
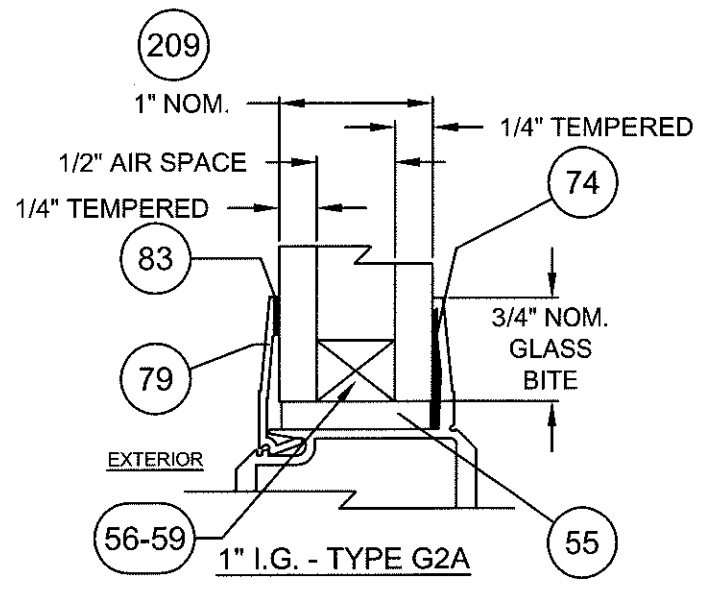
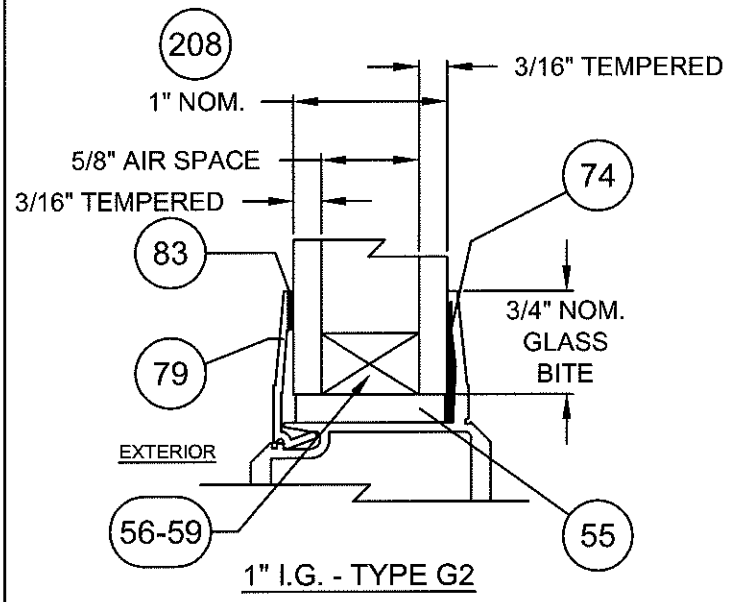
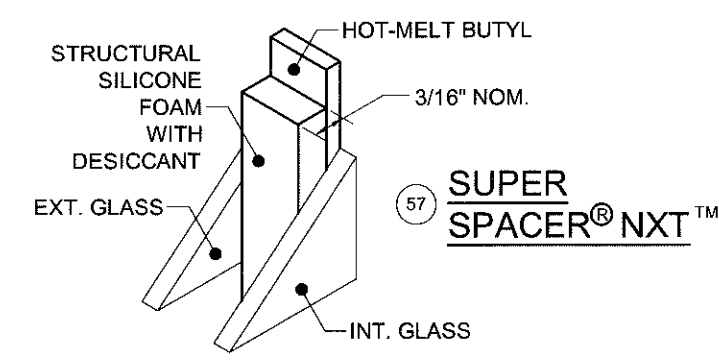
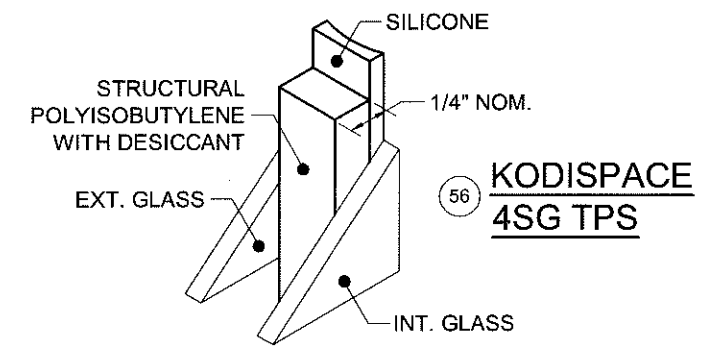
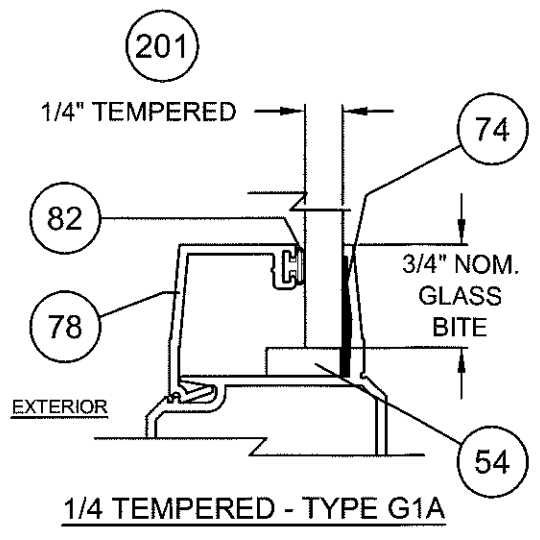
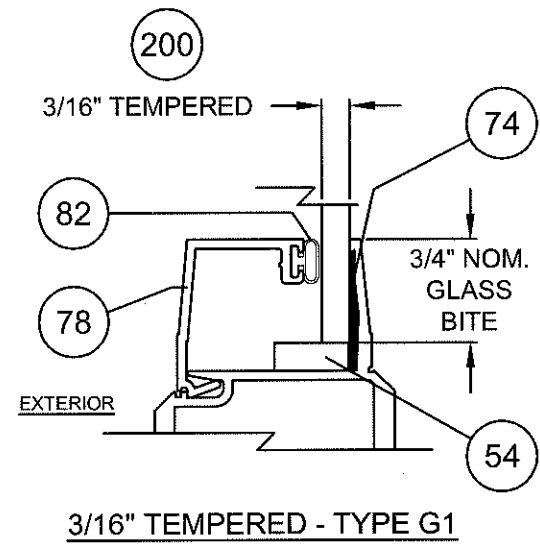
A. LYNN MILLER, P.E.
 P.E.# 58705

Revised By: JR	Date: 04/05/17	Revisions: F	NO CHANGES THIS SHEET.
Drawn By: SMC	Date: 08/05/09	Checked By: RJA	Date:

1070 TECHNOLOGY DRIVE
 N. VENICE, FL 34275
 (941) 480-1600
 CERT. OF AUTH. #29296
 COPYRIGHT © 2017
 PGT INDUSTRIES, INC.
 ALL RIGHTS RESERVED



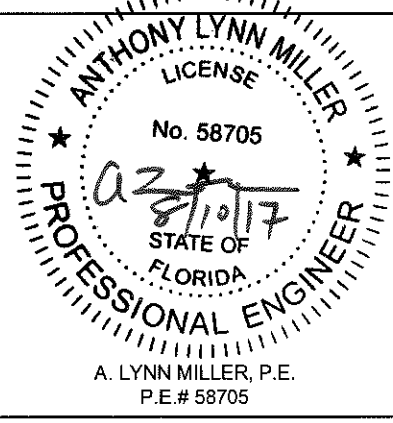
Description: ELEVATIONS			
Title: SERIES 670 H.P. ALUM. SGD - NON-IMPACT			
Series/Model: SGD670 H.P.	Scale: NTS	Sheet: 2 of 10	Drawing No. PGT0003
			Rev: F



Part #	Description	Material
56	Kommerling 4SG TPS Spacer System	See this Sheet for Materials
57	Quanex Super Spacer nXT with Hot Melt Butyl	
58	Quanex Duraseal Spacer	
59	Cardinal XL Edge Spacer	

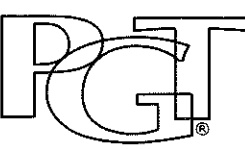
REFERENCE TEST REPORTS: FTL-8717, 8968 & 8970

PRODUCT REVISED as complying with the Florida Issuing Code
Acceptance No 17-0420-10
Expiration Date 3/24/20
Anthony L. Miller
Product Control



Revised By: JR	Date: 04/05/17	Revisions: F	NO CHANGES THIS SHEET.
Drawn By: SMC	Date: 08/05/09	Checked By: RJA	

1070 TECHNOLOGY DRIVE
N. VENICE, FL 34275
(941) 480-1600
CERT. OF AUTH. #29296
COPYRIGHT © 2017
PGT INDUSTRIES, INC.
ALL RIGHTS RESERVED

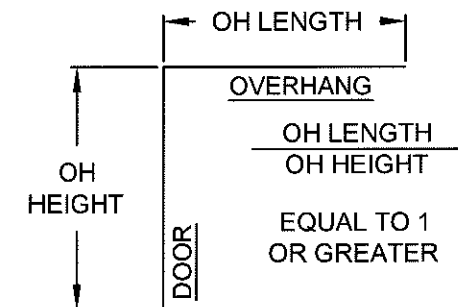
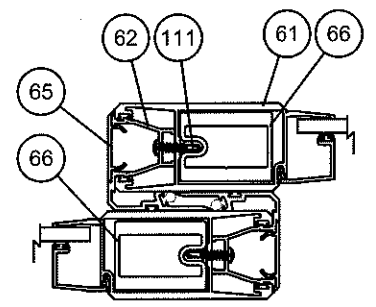
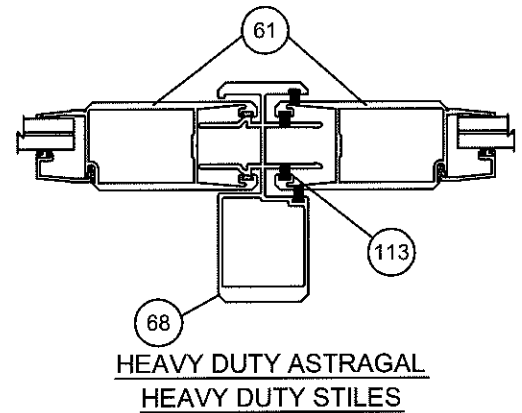


Description: GLAZING DETAILS			
Title: SERIES 670 H.P. ALUM. SGD - NON-IMPACT			
Series/Model: SGD670 H.P.	Scale: NTS	Sheet: 3 of 10	Drawing No: PGT0003
			Rev: F

TABLE 1:

Table applies to all Glass Types, unless noted otherwise, and the Stile/Astragal types shown on this sheet. Positive (+) DP may be limited by Table 1A.		Design Pressure (DP) and Anchor Quantities Required (For all approved Configurations, Sheet 2 and Glass Types, Sheet 3)																									
		Door Unit Height																									
		80"				84"				90"				96"				102"				108"					
		69-7/8" DLO				73-7/8" DLO				79-7/8" DLO				87-7/8" DLO				91-7/8" DLO				97-7/8" DLO					
Nominal Panel Width (in)		DLO		Anchor Group				Anchor Group				Anchor Group				Anchor Group				Anchor Group							
				A	B	C	D	A	B	C	D	A	B	C	D	A	B	C	D	A	B	C	D				
24"	17"	Design Pressure	+90/-209				+90/-209				+90/-209				+90/-209				+90/-205.3				+90/-192.5				
		Head/Sill	C6+2	C6+2	C6+2	C6+2	C6+2	C6+2	C6+2	C6+2	C7+2	C7+2	C7+2	C7+2	C7+2	C7+2	C7+2	C7+2	C8+2	C8+2	C7+2	C7+2	C8+2	C8+2	C7+2	C7+2	
		Jamb	14	12	10	8	16	12	10	8	18	14	10	10	18	14	12	10	20	16	12	10	20	16	12	10	
	30"	23"	Design Pressure	+90/-209				+90/-209				+90/-197.1				+90/-182.5				+90/-169.9				+90/-159			
			Head/Sill	C7+2	C7+2	C7+2	C7+2	C8+2	C8+2	C7+2	C7+2	C8+2	C8+2	C7+2	C7+2	C8+2	C8+2	C7+2	C7+2	C8+2	C8+2	C7+2	C7+2	C8+2	C8+2	C7+2	C7+2
			Jamb	18	14	12	10	18	16	12	10	20	16	12	10	20	16	12	10	20	16	12	10	20	16	12	10
	36"	29"	Design Pressure	+90/-171				+90/-164				+90/-157				+90/-151				+90/-146				+90/-136.9			
			Head/Sill	C7+2	C7+2	C6+2	C6+2	C7+2	C7+2	C7+2	C7+2	C7+2	C7+2	C6+2	C6+2	C8+2	C8+2	C7+2	C7+2	C8+2	C8+2	C7+2	C7+2	C8+2	C8+2	C7+2	C7+2
			Jamb	16	14	10	8	16	14	10	8	18	14	12	10	18	14	12	10	20	16	12	10	20	16	12	10
	42"	35"	Design Pressure	+90/-153				+90/-142				+90/-128				+90/-118				+90/-110				+90/-104, Glass Type G1 +90/-121.4, Glass Type G1A, G2, G2A			
			Head/Sill	C7+3	C7+3	C6+3	C6+3	C7+3	C7+3	C6+2	C6+2	C7+2	C7+2	C6+2	C6+2	C7+2	C7+2	C6+2	C6+2	C7+2	C7+2	C6+2	C6+2	C8+2	C8+2	C7+2	C7+2
			Jamb	16	14	10	8	16	14	10	8	16	14	10	10	16	14	10	10	16	14	10	10	20	16	12	10
48"	41"	Design Pressure	+90/-151				+90/-140				+90/-124				+90/-113				+90/-103, Glass Type G1 +90/-118.5, Glass Type G1A, G2, G2A				+90/-104, Glass Type G1 +90/-110, Glass Type G1A, G2, G2A				
		Head/Sill	C7+3	C7+3	C7+3	C7+3	C7+3	C7+3	C7+3	C7+3	C7+3	C7+3	C7+3	C7+3	C7+3	C7+3	C7+3	C7+3	C8+3	C8+3	C7+3	C7+3	C8+3	C8+3	C7+2	C7+2	
		Jamb	18	14	12	10	18	14	10	10	18	14	10	10	16	14	10	10	20	16	12	10	20	16	12	10	

EXAMPLE ON SHEET 5



1. POSITIVE PRESSURES IN TABLE ARE BASED ON THE USE OF THE 4" SILL.
2. WHEN USING THE 2 1/2" SILL, POSITIVE DP IS 46.67 PSF MAX. AND WITH THE 3 1/4" SILL, POSITIVE PRESSURES IS 60.0 PSF MAX. (NEGATIVE PRESSURES UNCHANGED). SEE TABLE 1A ON THIS SHEET.
3. 2 1/2", 3 1/4" AND 4" SILL HEIGHTS ARE TESTED FOR WATER INFILTRATION WHEREAS THE 1 1/2" SILL IS NOT AND MUST ONLY BE USED WHERE WATER RESISTANCE IS NOT REQUIRED. POSITIVE DESIGN PRESSURES SHOWN IN TABLE 1 MAY BE USED WHEN THE DOOR IS PROTECTED BY AN OVERHANG COMPLYING WITH THE FLORIDA BUILDING CODE (SEE ADJACENT DIAGRAM); THIS CONDITION IS NOT RATED FOR WATER INFILTRATION.
4. SEE SHEETS 6 & 7 FOR ANCHORAGE SPACING AND EMBEDMENT INFORMATION.
5. DOOR SIZE TO COMPLY WITH FBC EGRESS REQUIREMENTS.

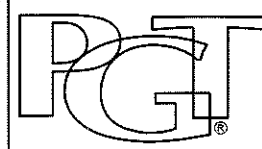
SILL RISE HEIGHT	(+) DESIGN LOAD
FLUSH 1-1/2"	N/A
LOW 2-1/2"	+ 46.67 PSF
MED 3-1/4"	+ 60.0 PSF
HIGH 4"	+ 90.0 PSF

SEE NOTES 1-3

DLO WIDTH = NOM. PANEL WIDTH - 7"
DLO HEIGHT = NOM. PANEL HEIGHT - 8.25"

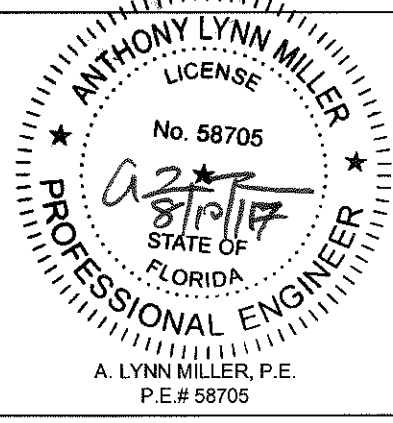
Revised By: JR Date: 04/05/17 Revisions: F REVISED TABLE 1.
Drawn By: SMC Date: 8/5/09 Checked By: Date:

1070 TECHNOLOGY DRIVE
N. VENICE, FL 34275
(941) 480-1800
CERT. OF AUTH. #29296
COPYRIGHT © 2017
PGT INDUSTRIES, INC.
ALL RIGHTS RESERVED



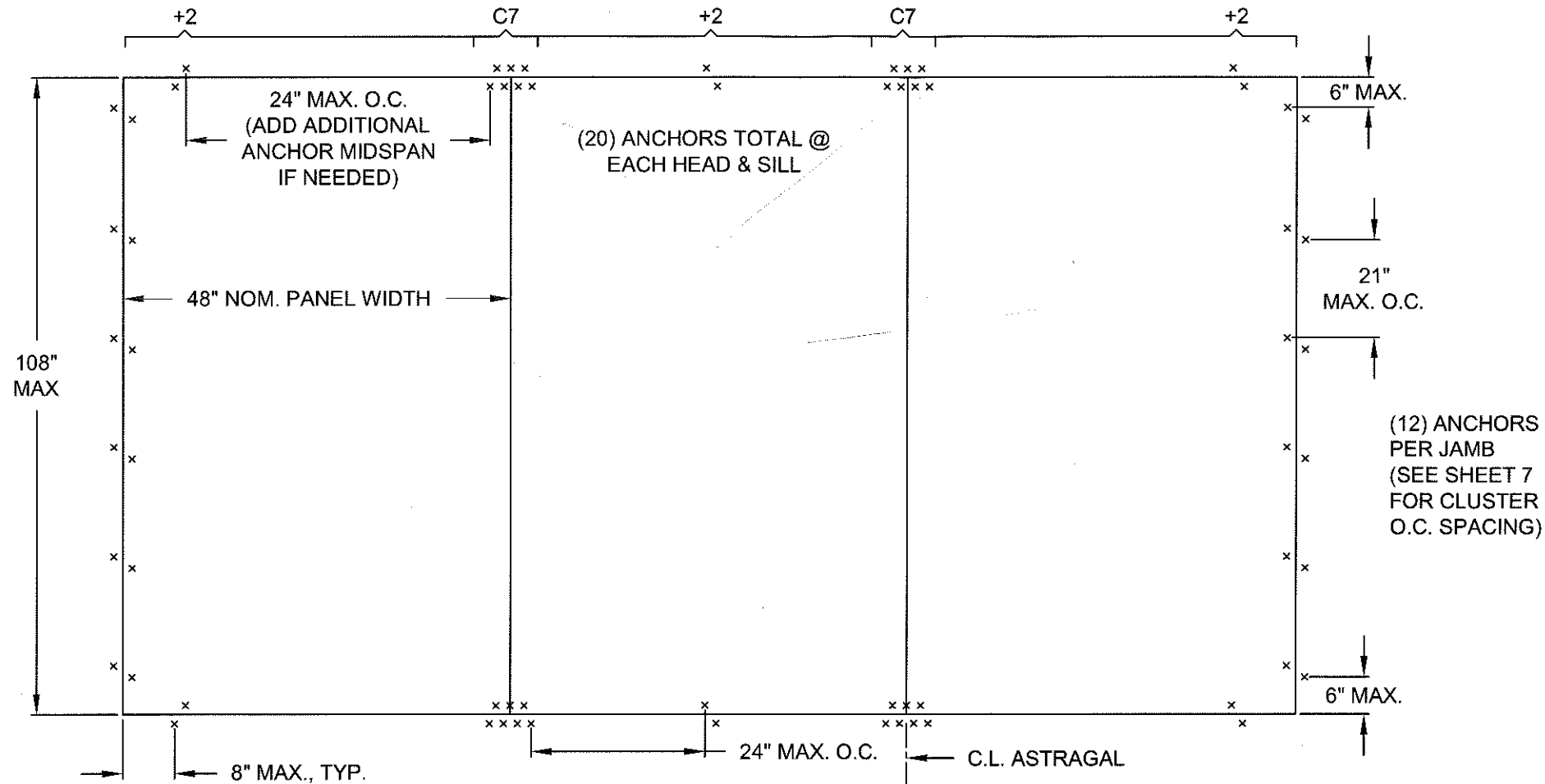
Description: DP AND ANCHORAGE CHART
Title: SERIES 670 H.P. ALUM. SGD - NON-IMPACT
Series/Model: SGD670 H.P. Scale: NTS Sheet: 4 of 10 Drawing No. PGT0003 Rev: F

PRODUCT REVISED
as complying with the Florida
Building Code
Acceptance No 17-0420-10
Expiration Date 3/24/20
Anthony L. Miller
Product Control

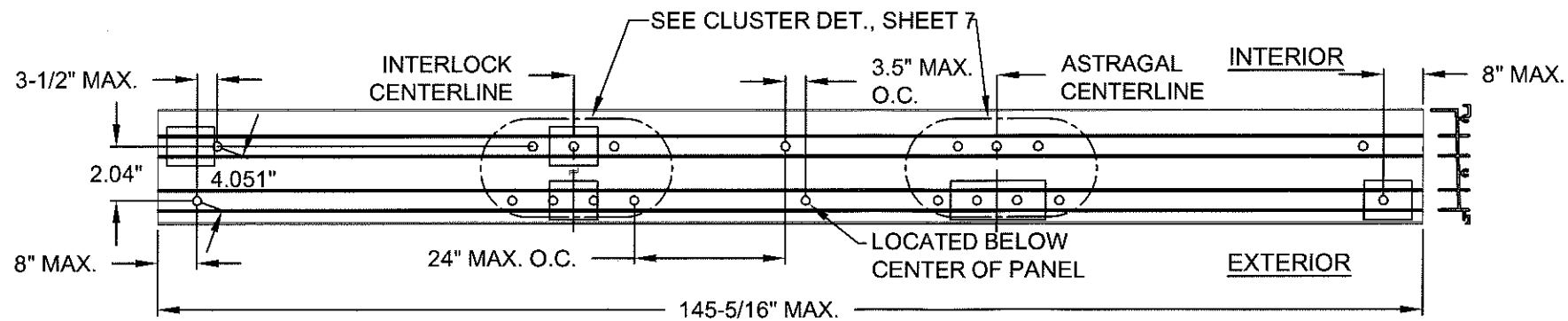


EXAMPLE OXX ANCHORAGE PLAN:

(3) PANEL, 48" x 108" DOOR FROM TABLE ON SHEET 4, ANCHOR TYPES C IN CONCRETE SUBSTRATE



"ANCHORS PER PANEL" ARE THOSE AT THE HEAD AND SILL BETWEEN CLUSTERS OR THOSE BETWEEN A CLUSTER AND A FRAME JAMB.



ANCHORAGE REQUIREMENTS NOTES:

- APPROVED ANCHOR TYPES: SEE TABLE A, SHEET 1.
- ANCHOR LOCATION SPACING FOR ANCHOR QUANTITIES SPECIFIED IN TABLE 1 ON SHEET 4:

HEAD & SILL..... 8" MAX. FROM FRAME CORNERS. USE SPECIFIED CLUSTER FROM TABLE ON SHEET 4 AT EACH INTERLOCK AND ASTRAGAL LOCATION, PLUS SPECIFIED QUANTITY OF ADDITIONAL INTERMEDIATE ANCHORS PER PANEL (THE 8" FROM CORNER ANCHORS CAN BE INCLUDED).
SEE EXAMPLE ANCHORAGE PLANS ABOVE AND EXAMPLE CLUSTERS AT ASTRAGAL / INTERLOCKS ON SHEET 7.

JAMBS..... 6" MAX. FROM BOTTOM AND 21" MAX. O.C. UTILIZING JAMB ANCHOR QUANTITIES FROM TABLE ON SHEET 4.

1070 TECHNOLOGY DRIVE
N. VENICE, FL 34275
(941) 480-1600
CERT. OF AUTH. #29296
COPYRIGHT © 2017
PGT INDUSTRIES, INC.
ALL RIGHTS RESERVED

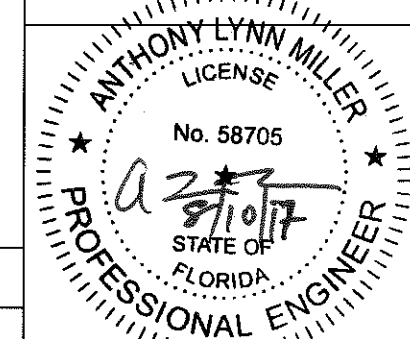


Description:
ANCHORAGE SPACING & EXAMPLE PLANS

Title:
SERIES 670 H.P. ALUM. SGD - NON-IMPACT

Series/Model: SGD670 H.P. Scale: NTS Sheet: 5 of 10 Drawing No. PGT0003 Rev: F

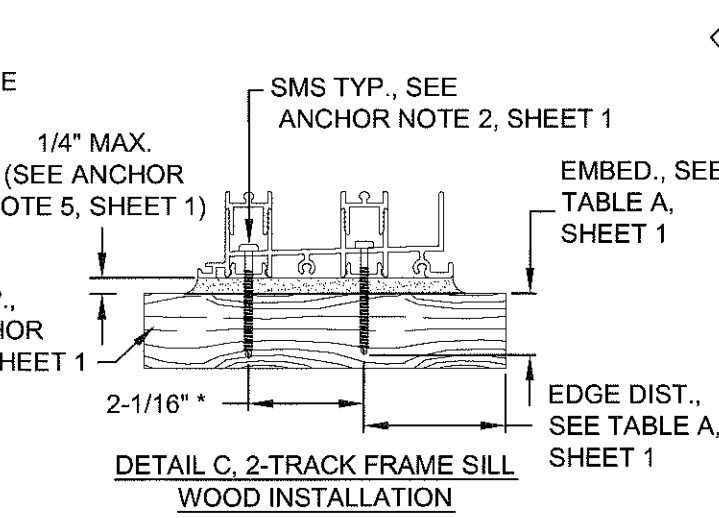
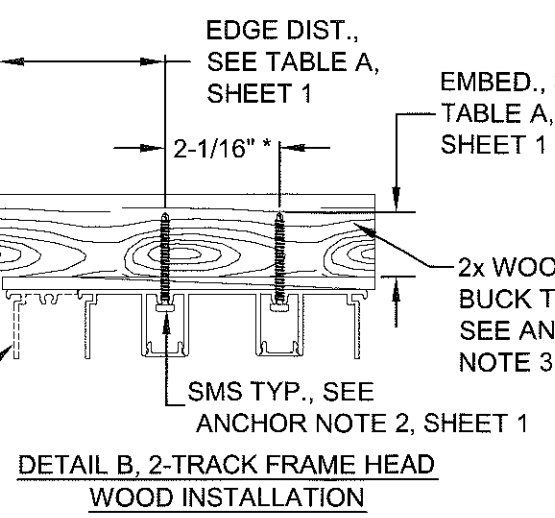
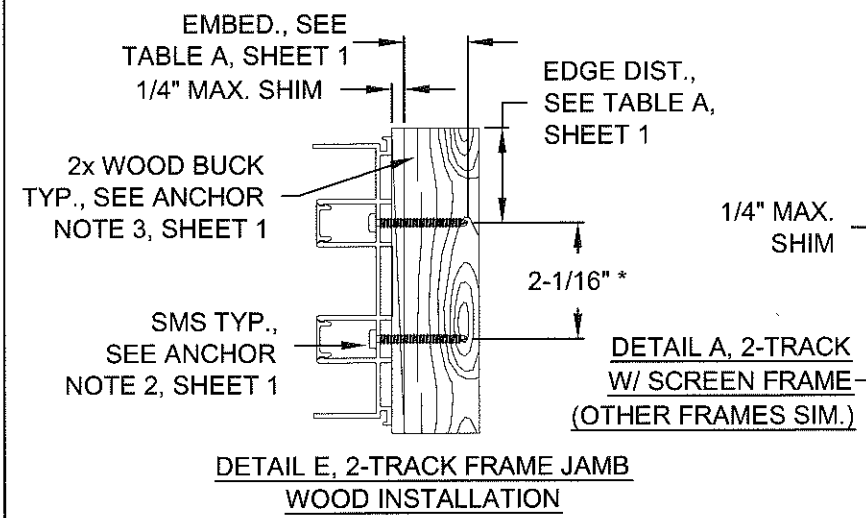
PRODUCT REVISED
as complying with the Florida
Building Code
Acceptance No 17-0420-10
Expiration Date 3/24/20
Anthony Lynn Miller
Professional Engineer



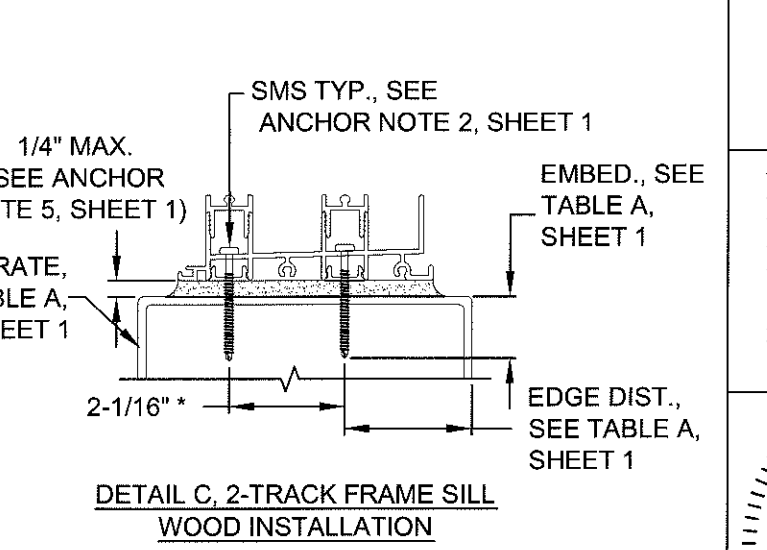
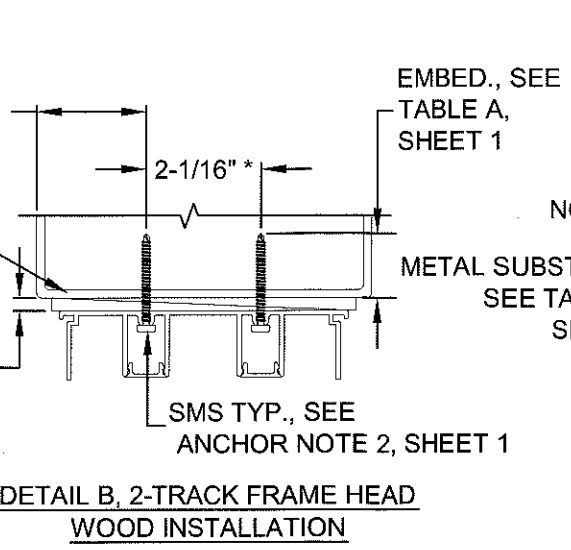
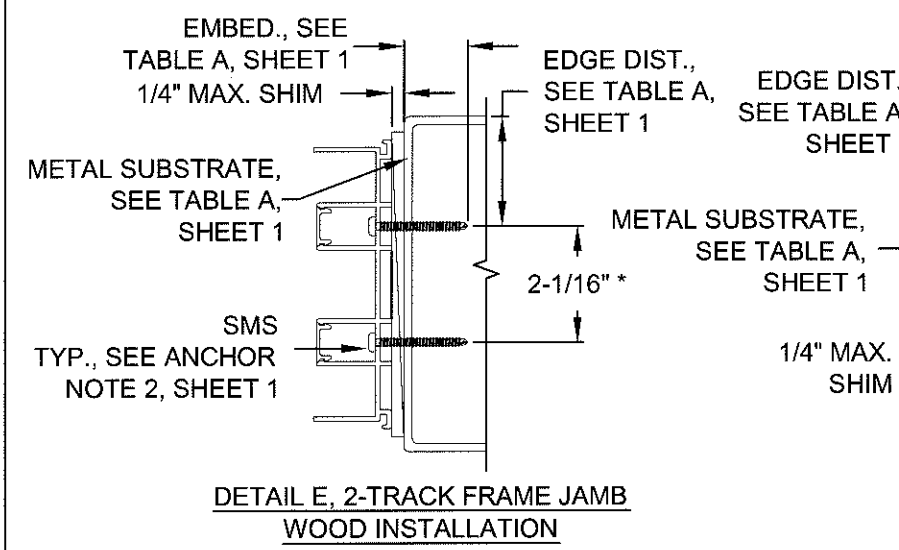
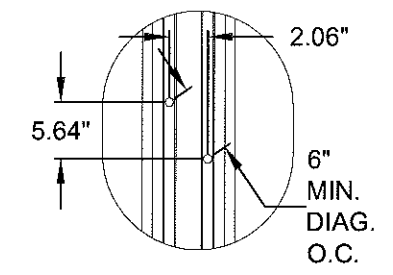
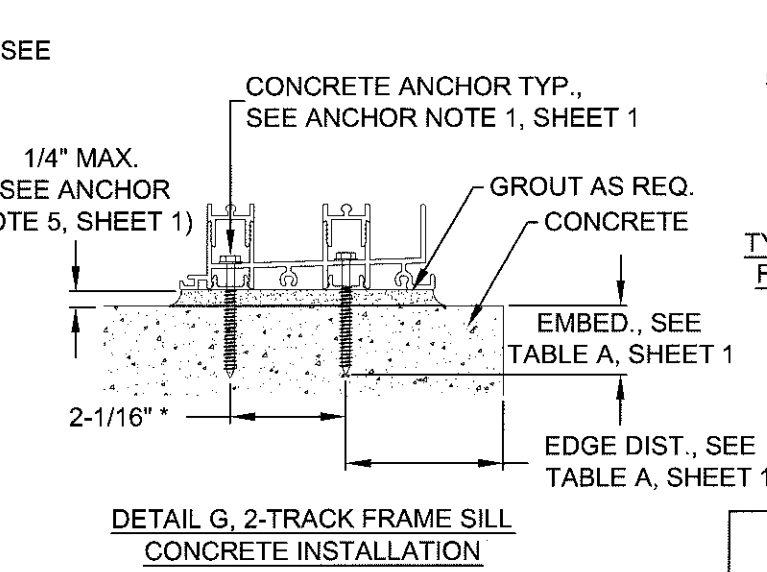
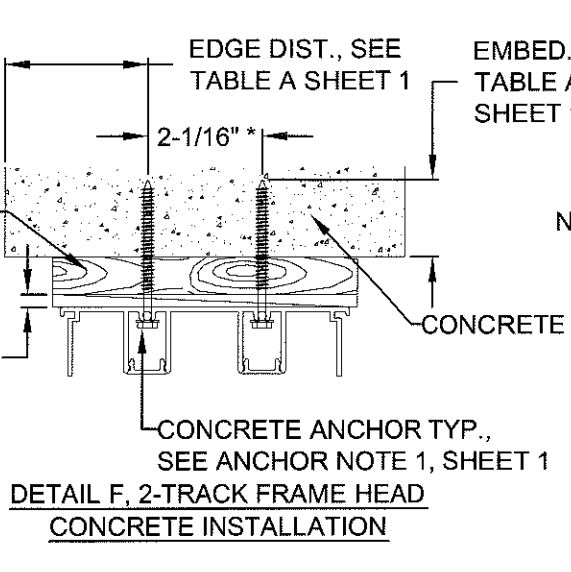
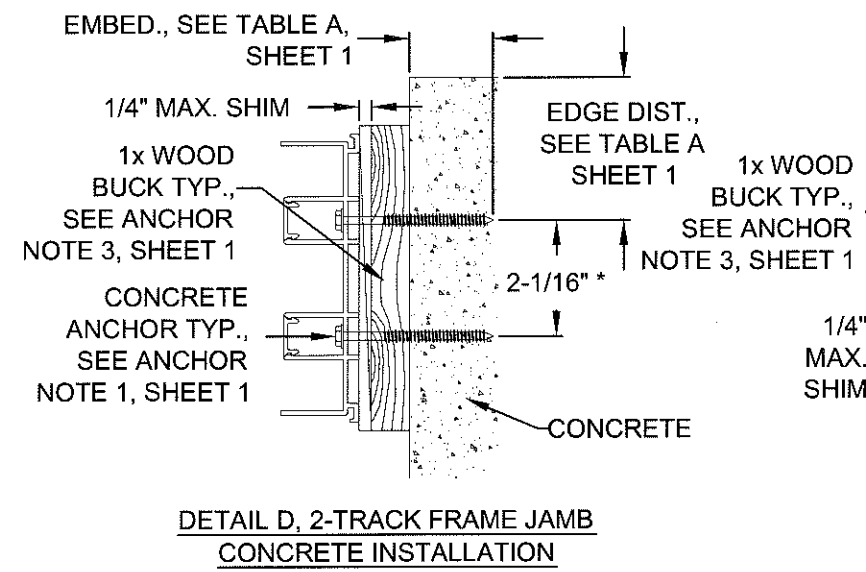
A. LYNN MILLER, P.E.
P.E.# 58705

Revised By: JR	Date: 04/05/17	Revisions: F	REVISED & CLARIFIED EXAMPLE TO NEW ANCHOR QUANTITIES.
Drawn By: SMC	Date: 08/05/09	Checked By: RJA	

← EXTERIOR INTERIOR →
(ALL VERT. SECTIONS)

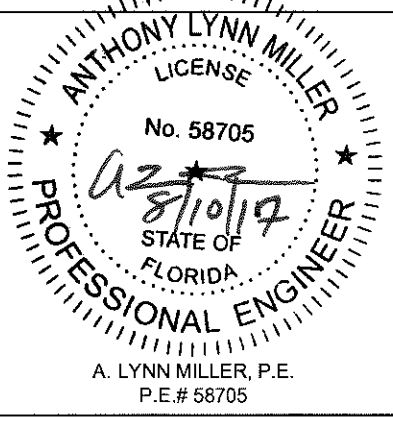


NOTES:
1. ALL DIMENSIONS SHOWN ARE BASED ON MINIMUM ALLOWED.
2. METAL SUBSTRATES SIMILAR TO WOOD SUBSTRATES AS SHOWN.
* DIAGONAL, O.C. DIMENSION IS 4.051" IN THE HEAD & SILL, 6" IN THE JAMB.



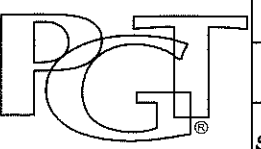
ANCHORS MUST BE OF SUFFICIENT LENGTH SO THAT A MINIMUM OF 3 THREADS EXTEND BEYOND METAL SUBSTRATE.

PRODUCT REVISED
as complying with the Florida
Building Code
Acceptance No. 17-0420.10
Expiration Date 3/24/20
Anthony L. Miller
Manufacturer Product Control



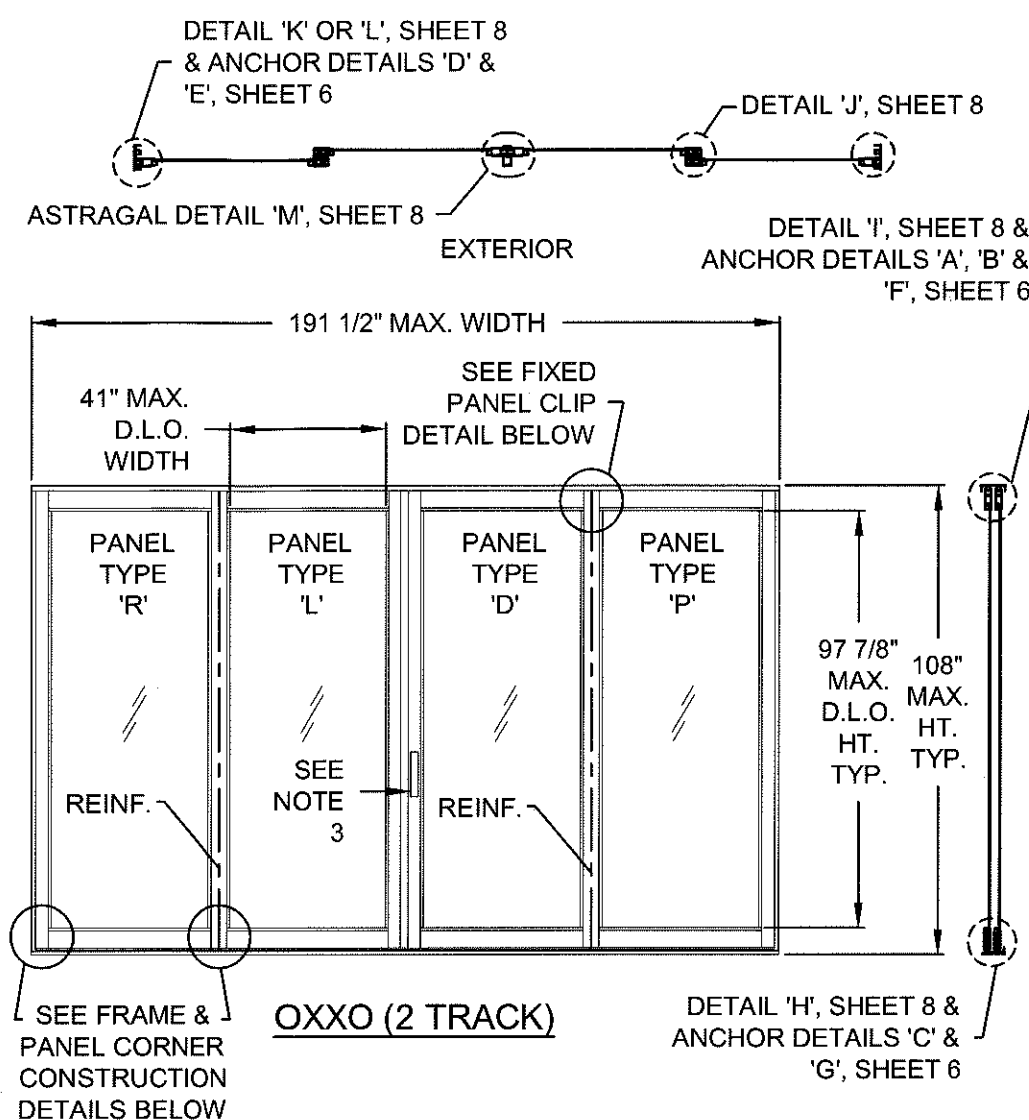
Revised By:	Date:	Revisions:	
JR	04/05/17	F	CHANGED JAMB OC TO 6".
Drawn By:	Date:	Checked By:	Date:
SMC	08/05/09	RJA	

1070 TECHNOLOGY DRIVE
N. VENICE, FL 34275
(941) 480-1600
CERT. OF AUTH. #29296
COPYRIGHT © 2017
PGT INDUSTRIES, INC.
ALL RIGHTS RESERVED

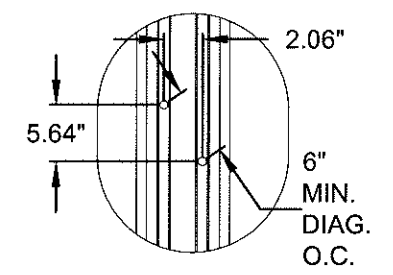


Description: ANCHORAGE			
Title: SERIES 670 H.P. ALUM. SGD - NON-IMPACT			
Series/Model:	Scale:	Sheet:	Drawing No.:
SGD670 H.P.	NTS	6 of 10	PGT0003
Rev:			
F			

K	SINGLE INTERLOCK		LOCKSTILE
A	SINGLE INTERLOCK		LOCKSTILE
D	LOCKSTILE		SINGLE INTERLOCK
M	LOCKSTILE		SINGLE INTERLOCK
L (BOX OUT)	SINGLE INTERLOCK		ASTRAGAL OUT
LR (BOX OUT)	ASTRAGAL OUT		SINGLE INTERLOCK
N (BOX OUT)	ASTRAGAL IN		SINGLE INTERLOCK
C (BOX IN)	SINGLE INTERLOCK		ASTRAGAL IN
P	SINGLE INTERLOCK		FIXED LOCKSTILE
R	FIXED LOCKSTILE		SINGLE INTERLOCK
T (BOX OUT)	ASTRAGAL OUT		FIXED LOCKSTILE
T (BOX IN)	ASTRAGAL IN		FIXED LOCKSTILE
S (BOX OUT)	FIXED LOCKSTILE		ASTRAGAL OUT
S (BOX IN)	FIXED LOCKSTILE		ASTRAGAL IN



- NOTES:**
- SEE THIS SHEET FOR INDIVIDUAL PANEL CONFIGURATIONS. MAX. NOMINAL PANEL WIDTH = 48". SEE SHEET 8 FOR SECTION DETAILS AND SHEETS 4-6 FOR ANCHORAGE DETAILS.
 - DLO WIDTH = 41" MAX. DLO HEIGHT = 97 7/8" MAX.
 - (1) LOCK (ITEMS 75 & 107-110) AT EACH LOCKSTILE, LOCKING INTO KEEPER (ITEM 103) AT FRAME JAMB OR ASTRAGAL.
 - MAXIMUM NOMINAL PANEL WIDTH FOR ALL PANEL CONFIGURATIONS EQUALS 48".

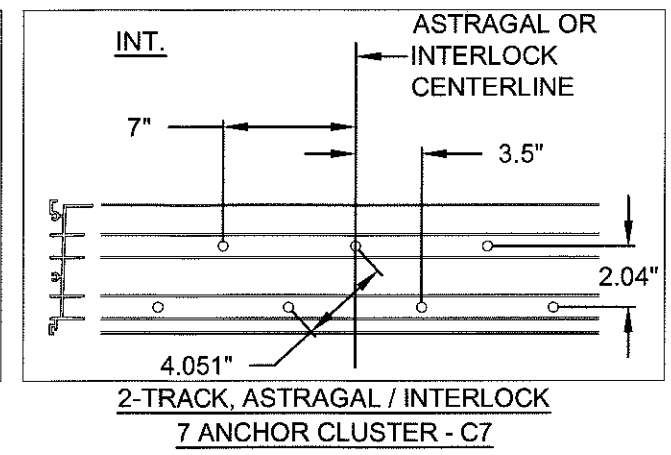
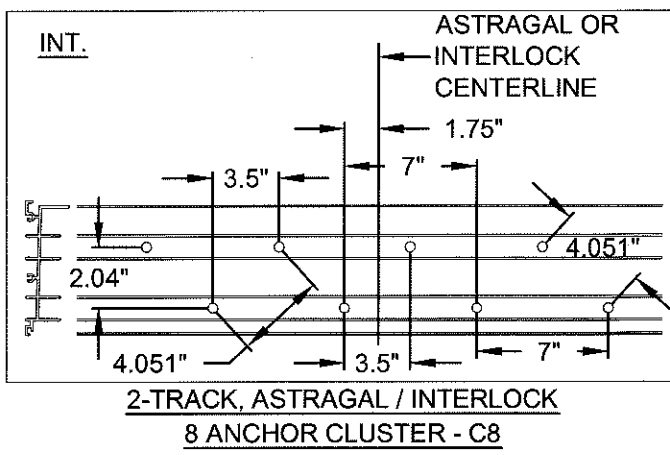
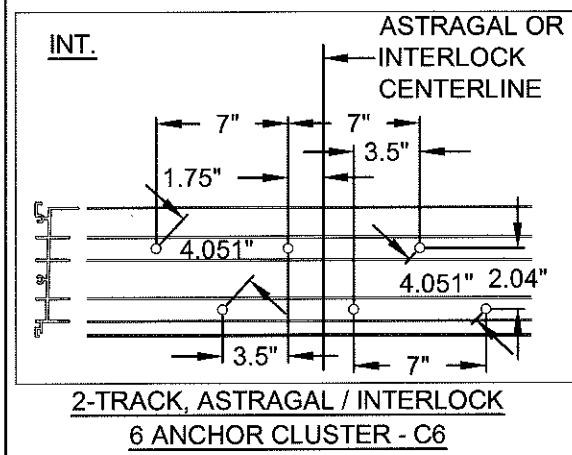


TYPICAL JAMB ANCHOR PAIR FOR DETAILS "D" & "E", SEE ELEVATION FOR O.C. SPACING, SHEET 5

NOTE: REINFORCEMENT REQUIRED AT ALL INTERLOCKS.

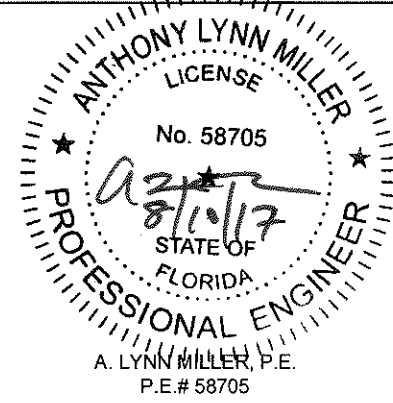
↑ INTERIOR (ALL PANEL TYPES)

↓ EXTERIOR



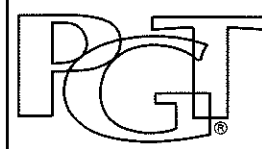
- NOTES:**
- ALL DIMENSIONS SHOWN ARE BASED ON MINIMUM ALLOWED.
 - METAL SUBSTRATES SIMILAR TO WOOD SUBSTRATES AS SHOWN.
 - * DIAGONAL, O.C. DIMENSION IS 4.051" IN THE HEAD & SILL, 6" IN THE JAMB.

PRODUCT REVISED as complying with the Florida Building Code
Acceptance No 17-0420.10
Expiration Date 3/24/20
A. Lynn Miller
Member State Product Control

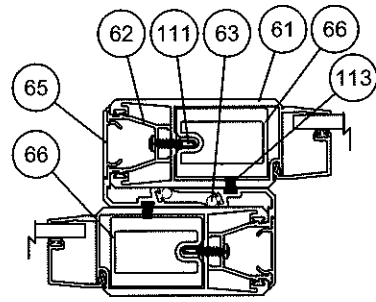


Revised By: JR	Date: 04/05/17	Revisions: F	REMOVED BRACKET DETAIL.
Drawn By: SMC	Date: 08/05/09	Checked By: RJA	

1070 TECHNOLOGY DRIVE
N. VENICE, FL 34275
(941) 480-1600
CERT. OF AUTH. #29296
COPYRIGHT © 2017
PGT INDUSTRIES, INC.
ALL RIGHTS RESERVED

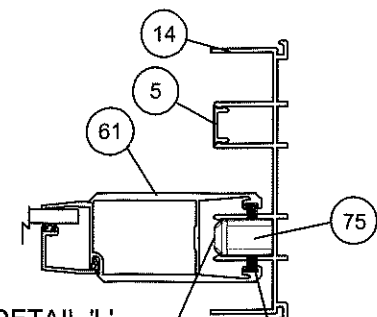


Description: PANEL TYPES / EXAMPLE ELEVATIONS			
Title: SERIES 670 H.P. ALUM. SGD - NON-IMPACT			
Series/Model: SGD670 H.P.	Scale: NTS	Sheet: 7 of 10	Drawing No. PGT0003
			Rev: F

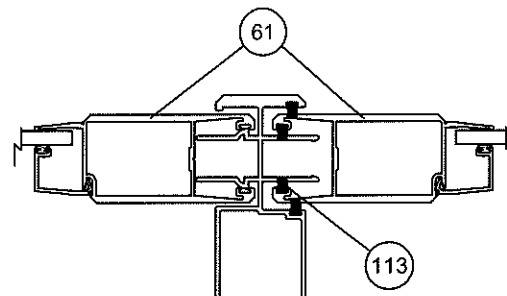


ALL REINFORCED INTERLOCK
DETAIL 'J'

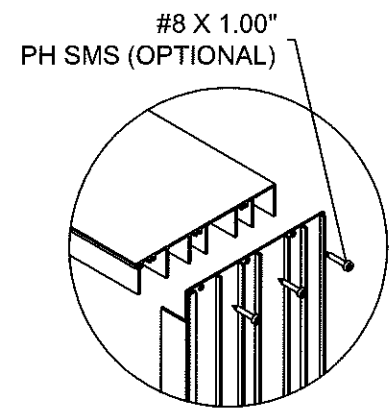
↑ INTERIOR
(ALL HORIZ. SECTIONS)
↓ EXTERIOR



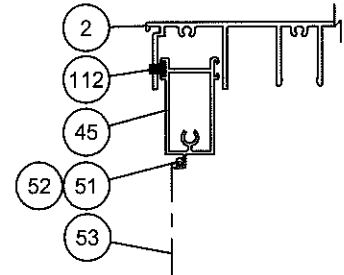
DETAIL 'L'



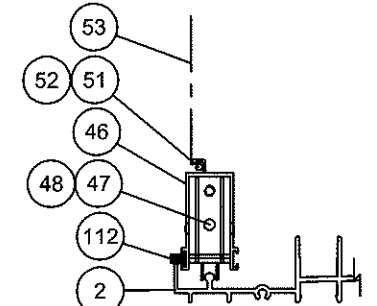
ASTRAGAL
DETAIL 'M'



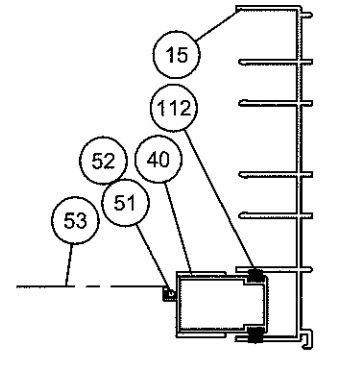
FRAME CORNER
DETAIL



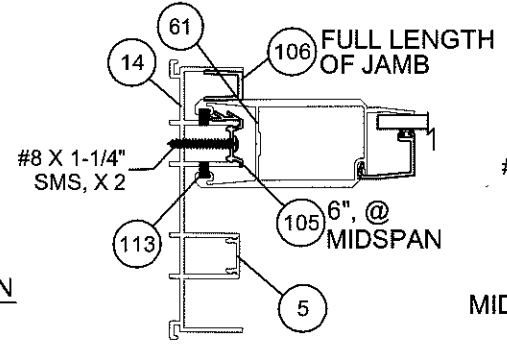
DETAIL 'N' SCREEN
AT HEAD



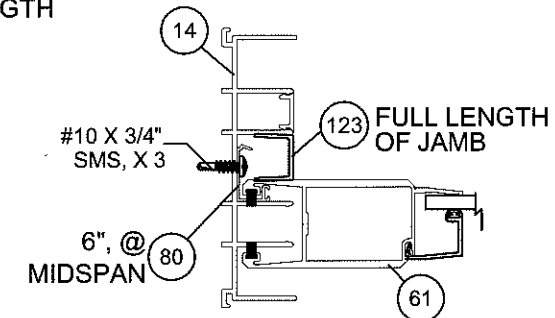
DETAIL 'O' SCREEN
AT SILL



DETAIL 'P' SCREEN
AT JAMB

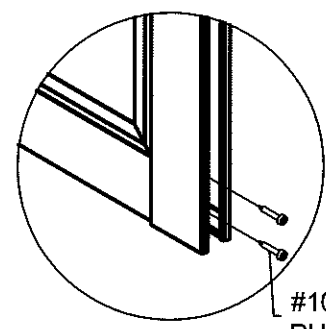


STANDARD CLIP
W/ RETAINER #106



OPTIONAL CLIP
W/ RETAINER #123

DETAIL 'K' (FIXED PANEL)

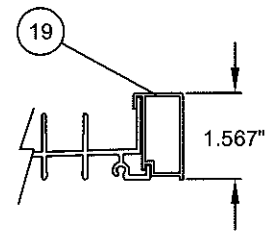


PANEL CORNER
DETAIL

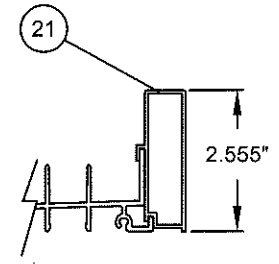
SILL RISERS OPTIONS

(SEE D.P. LIMIT TABLE 1A, SHEET 4)

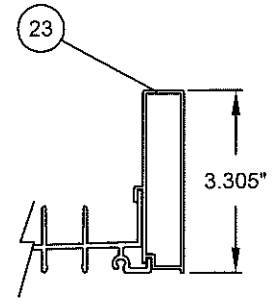
← EXTERIOR INTERIOR →
(ALL VERT. SECTIONS)



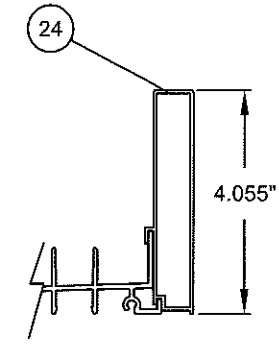
FLUSH BOX SILL RISER



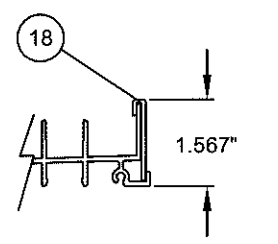
LOW BOX SILL RISER



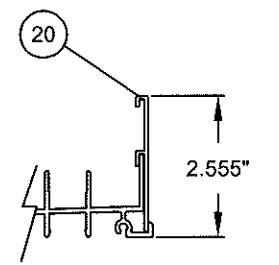
MEDIUM BOX SILL RISER



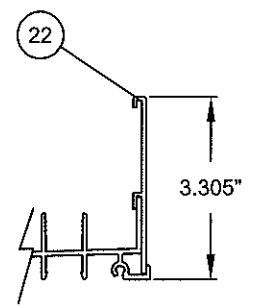
HIGH BOX SILL RISER



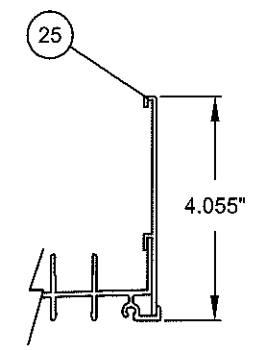
FLUSH FLAT SILL RISER



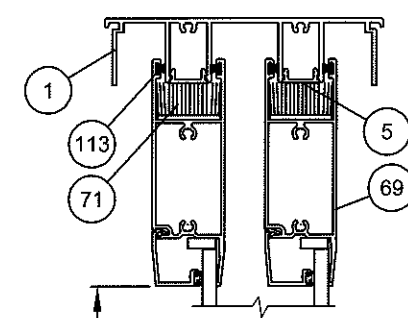
LOW FLAT SILL RISER



MEDIUM FLAT SILL RISER



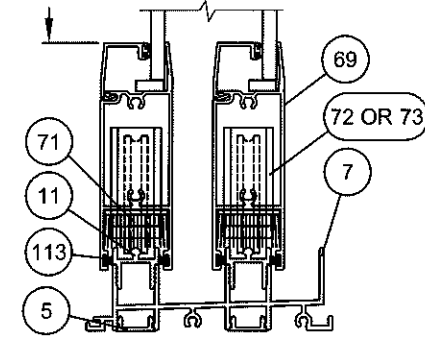
HIGH FLAT SILL RISER



DETAIL 'I'

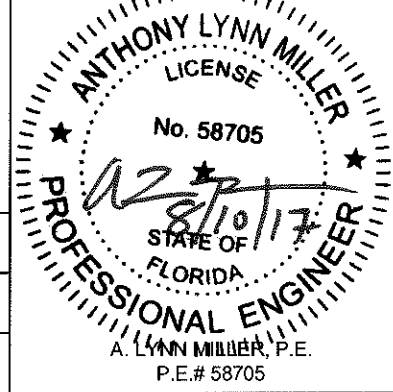
EXT.

97 7/8"
MAX.
DLO
TYP.



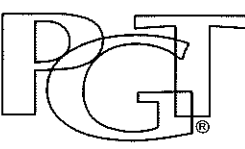
DETAIL 'H'

PRODUCED REVISOR
as complying with the Florida
Building Code
Acceptance No. 17-0420-10
Expiration Date 3/24/20
[Signature]
Product Control



Revsd By: JR	Date: 04/05/17	Revisions: F	ADDED OPT. CLIP TO DETAIL K, REMOVED ANGLE BRACKET #121
Drawn By: SMC	Date: 08/05/09	Checked By:	Date:

1070 TECHNOLOGY DRIVE
N. VENICE, FL 34275
(941) 480-1600
CERT. OF AUTH. #29296
COPYRIGHT © 2017
PGT INDUSTRIES, INC.
ALL RIGHTS RESERVED



Description: VERTICAL & HORIZONTAL SECTION DETAILS			
Title: SERIES 670 H.P. ALUM. SGD - NON-IMPACT			
Series/Model: SGD670 H.P.	Scale: NTS	Sheet: 8 of 10	Drawing No. PGT0003
Rev: F			

ITEM	PGT Dwg. #	PGT. #	Description
1	17306	617306	2-TRACK HEAD
2	17303	617303	2-TRACK HEAD WITH SCREEN RAIL
5	17314	617314	FRAME SCREW COVER
6	17317	617317	FRAME HEAD/JAMB ADD-ON
7	17304	617304	2-TRACK SILL
8	17301	617301	2-TRACK SILL WITH SCREEN RAIL
11	17313	617313	FRAME SILL TRACK INSERT
12	17315	617315	FRAME SILL SCREEN ADD-ON
14	17305	617305	2-TRACK JAMB
15	17302	617302	2-TRACK JAMB WITH SCREEN RAIL
18	17322	617322	SILL RISER - 0
19	17319	617319	SILL RISER - 0 HOLLOW
20	17321	617321	SILL RISER - LOW FLAT
21	17318	617318	SILL RISER - LOW HOLLOW
22	17355	617355	SILL RISER - MED FLAT
23	17354	617354	SILL RISER - MED HOLLOW
24	17320	617320	SILL RISER - HIGH HOLLOW
25	17323	617323	SILL RISER - HIGH FLAT

40	4319	612258	SCREEN SIDE RAIL - LOCKSTILE
41		7LOCKWGSK	SCREEN LOCKSET
42		41818	SCREEN KEEPER SPACER SET
43	8152	68152	SCREEN INTERLOCK ADAPTER
44	4428	64428	SCREEN DOUBLE INTERLOCK
45	4317	612256	SCREEN TOP RAIL
46	4318	612257	SCREEN BOTTOM RAIL
47	668	7SRAZ	STANDARD ROLLER
48	668	7SRAX	STANDARD ROLLER - ST. STL.
49	4344	64344	SCREEN ASTRAGAL
50	17349	617349	OXO SCREEN ASTRAGAL ADAPTER
51	1692	61692	SCREEN SPLINE - .165
52	1694	61694	SCREEN SPLINE - .150
53		61816C20	SCREEN CLOTH
54	1725		1/2" x 4" x 1/16" SITTING BLOCK
55	1726		1" X 4" X 1/16" SITTING BLOCK

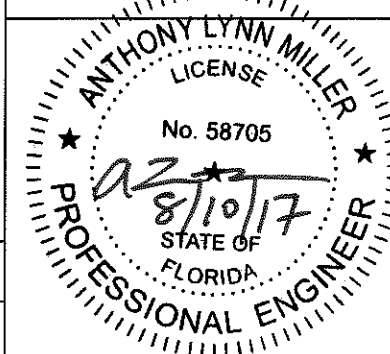
200		GLASS	3/16 TEMPERED
201		GLASS	1/4 TEMPERED
208		GLASS	IG 3/16-3/16 FULLY TEMPERED
209		GLASS	IG 1/4-1/4 FULLY TEMPERED

NOTES:

- 1) ALL ALUMINUM = 6063-T6
- 2) ITEMS # 3, 4, 9, 10, 13, 16, 17, 26-39, 56-60, 67, 81, 84-99 & 118-199 ARE NOT USED AND ARE NOT PART OF THIS APPROVAL.

ITEM	PGT Dwg. #	PGT. #	Description
61	17326	617326	PANEL STILE (HEAVY DUTY)
62	17327	617327	INTERLOCK ADAPTOR
63	1225	6TP248	VINYL BULB WSTP. - THIN (INSIDE INTERLOCK)
64	1729	71729	SILL END WEATHERSTRIP PAD
65	17328	617328	INTERLOCK SCREW COVER
66	17346	617346	INTERLOCK ALUM REINF. (PANEL - 9")
68	17339	617339	HEAVY DUTY ASTRAGAL
69	17324	617324	TOP & BOTTOM RAIL
70	17350	417350	WEATHERSTRIP EXTENSION (INJECTION MOLDED)
71	1695	71695	1 1/2" X 1" X 3/4" HIGH FIN SEAL DUST PLUGS
72	8153	78153X	TANDEM ST. STL. ROLLER ASSY.
73	8153	78153N	TANDEM NYLON ROLLER ASSY.
74		SILICONE	DOW 791, 899, 995 OR GE 7700
75	8185	78185X	GEMINI MORTICE 3-PLY LOCK W/LONG TRIM PLATE
76		71032X1FPFX	#10-32 X 1" FL. SS SCREW W/ TYPE "F" TIP
77		7103239	10-32 STEEL ZINC U-NUT
78	17358	617358	3/16 & 1/4 OGEE BEAD HORIZONTAL
79	17357	617357	1" IG BEAD HORIZONTAL
80	17359	617359	7/16" BEAD / FIXED PANEL CLIP
82	1224	6TP247K	VINYL BULB WEATHERSTRIP
83		IGTAPE	1/2"X 1/16" SINGLE SIDE ADHESIVE TAPE FOR IG BEAD
100	8052	48052	ROLLER ADJ. HOLE PLUG
101		72087	JAMB BUMPER
102	1696	71696	DUST PLUG
103	8186	78186X	1" KEEPER
104	653	7SDKEEP	SCREEN LOCK KEEPER
105	17344	617344	FIXED PANEL CLIP - 6" LONG
106	17352	617352	EXTERIOR FIXED PANEL RETAINER
107	1739	71739	HANDLE KIT - INTERIOR RAISED WITH THUMB TURN
108	1740	71740	HANDLE KIT - RAISED EXTERIOR HANDLE
109	1731	78162SN	HANDLE KIT - RECESSED INTERIOR WITH THUMB TURN
110	1732	78178	HANDLE KIT - RECESSED EXTERIOR PULL
111		710X34PPSDAX	#10 X 3/4" PH. PN. TEK - S.S.
112	1235	67S16	WSTP, .270 X .170 - FIN SEAL
113	1712	64066	.187 X .230 FINSEAL
114		710X115PPX	#10X 1 1/2"
115		710XPPT	#10X 1"
116		720X1X	#14-20 X 1" ST. STL.
117		720X112X	#14-20 X 1.5" ST. STL.

PRODUCED / REVISED
as complying with the Florida
Building Code
Acceptance No. 17-0420-10
Expiration Date 3/24/20
By: *Anthony L. Miller*
Manufacturer Product Control



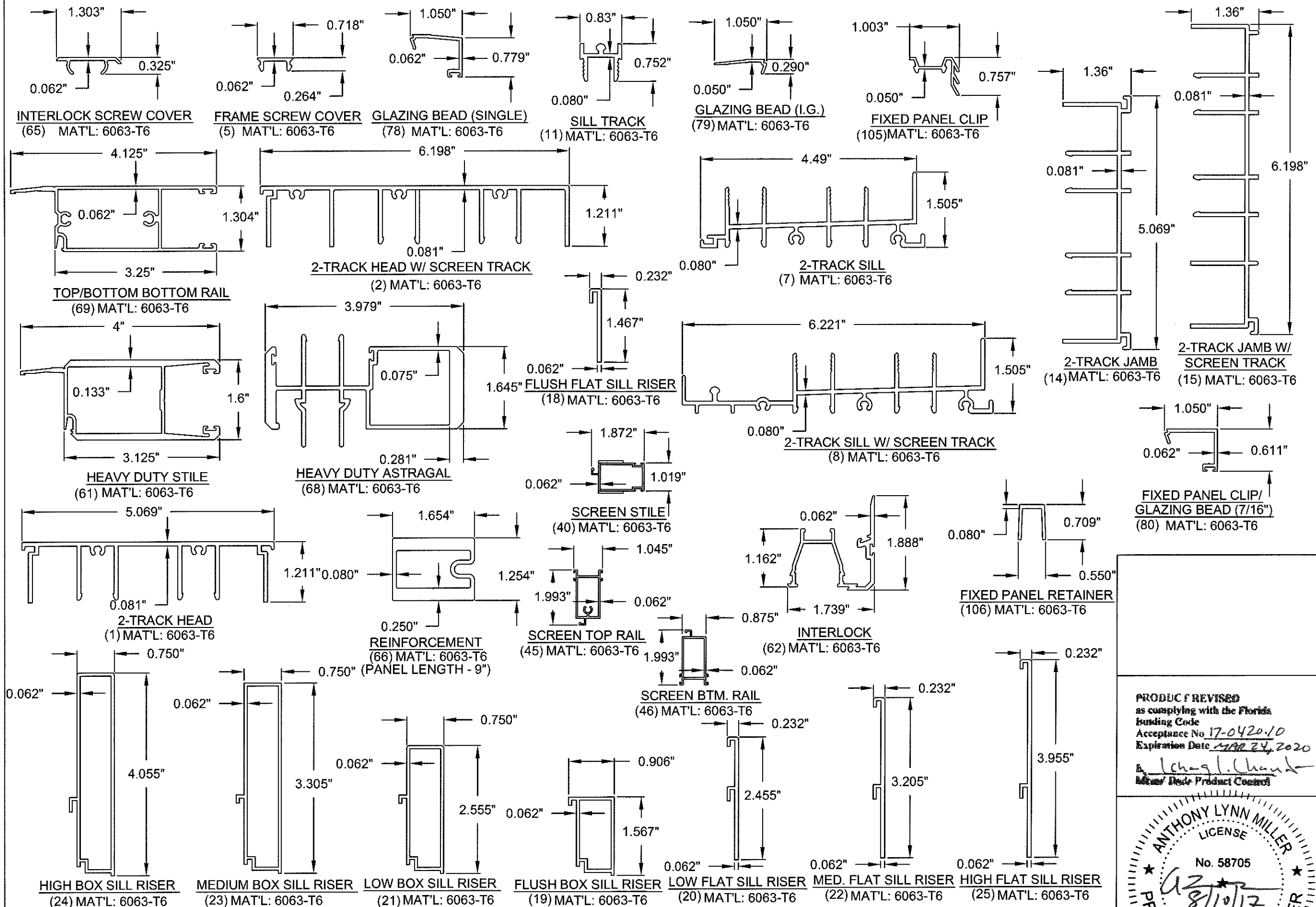
A. LYNN MILLER, P.E.
P.E.# 58705

1070 TECHNOLOGY DRIVE
N. VENICE, FL 34275
(941) 480-1600
CERT. OF AUTH. #29296
COPYRIGHT © 2017
PGT INDUSTRIES, INC.
ALL RIGHTS RESERVED

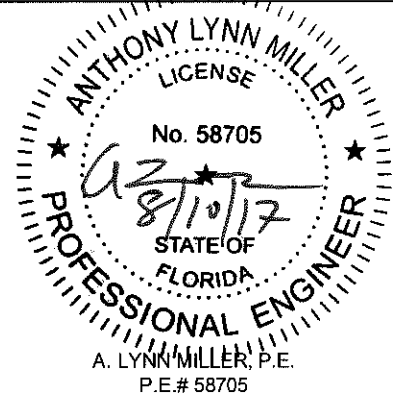


Description:
PARTS LIST
Title:
SERIES 670 H.P. ALUM. SGD - NON-IMPACT
Series/Model: SGD670 H.P. Scale: NTS Sheet: 9 of 10 Drawing No. PGT0003 Rev: F

Revised By: JR	Date: 04/05/17	Revisions: F	ADDED DOW-791 & GE-7700, REMOVED #121, #122
Drawn By: SMC	Date: 08/05/09	Checked By: RJA	Date:

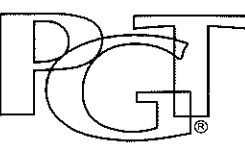


PRODUCT REVISED
 as complying with the Florida
 Building Code
 Acceptance No. 17-0420-10
 Expiration Date: MAY 24, 2020
 A. Lynn Miller
 Licensee/Manufacturer Product Control



Revised By: JR	Date: 04/05/17	Revisions: F	NO CHANGES THIS SHEET.
Drawn By: SMC	Date: 08/05/09	Checked By: RJA	

1070 TECHNOLOGY DRIVE
 N. VENICE, FL 34275
 (941) 480-1600
 CERT. OF AUTH. #29296
 COPYRIGHT © 2017
 PGT INDUSTRIES, INC.
 ALL RIGHTS RESERVED



Description: EXTRUSIONS			
Title: SERIES 670 H.P. ALUM. SGD - NON-IMPACT			
Series/Model: SGD670 H.P.	Scale: NTS	Sheet: 10 of 10	Drawing No. PGT0003
Rev: F			